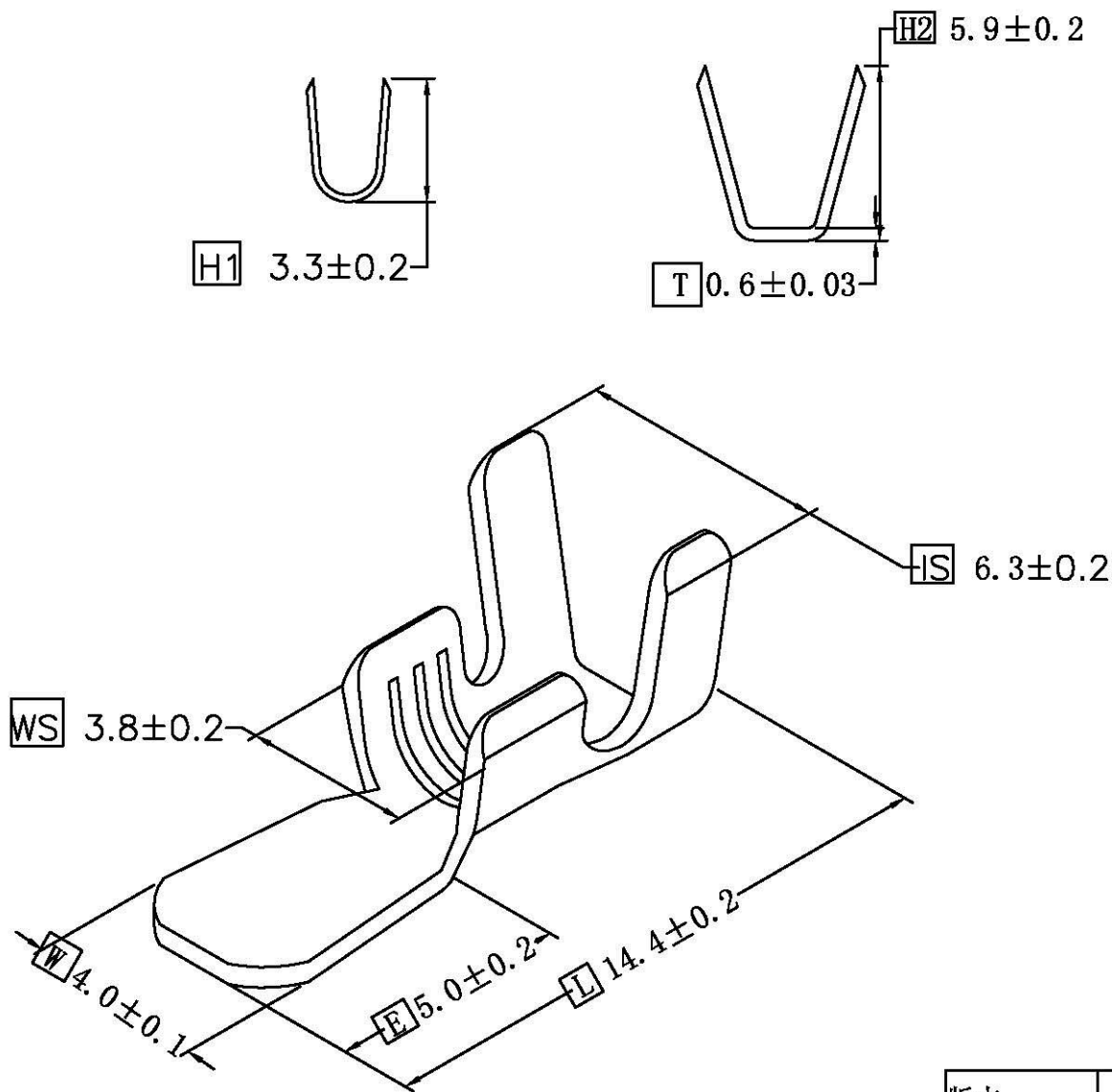
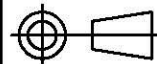


文件名称 File Name	产品规格表 Product Specification	
文件编号 File NO.		
产品料号 Part NO.	K400323BS2	
规格 Spec.	-	
材质 Material	黄铜 (Brass) (C2680)	
配合公端 Connection Table	-	
包装数量 Pack Q' TY	5000pcs/Reel	
适用电线 Applicable Wires	14-16AWG	
单重 weight single	-	
尺寸单位 Units	mm	
UL NO.	-	
表面处理 Surface Treatment	<input type="checkbox"/> 素材 None	<input type="checkbox"/> 镀镍 Nickel Plating
	<input type="checkbox"/> 抛光 Chemical Grinding	<input type="checkbox"/> 镀银 Silver Plating
	<input checked="" type="checkbox"/> 镀雾锡 Matte Tin Plating	<input type="checkbox"/> 镀金 Gold Plating
一、未注明参考尺寸公差: General tolerance for reference dimension	0 ±0.2	0.0 ±0.2
	0.00 ±0.1	0.000 ±0.05
二、角度公差: ANGLE UNITS	±3°	
三、适用范围: APPLICABILITY		
四、检查项目: CHECK ITEM		
1、尺寸量测及规格确认。(量测部位以标英文字母为主) DIMENSION MENSION MEASUREMENT AND SPECIFICATION CONFIRMATION. (THE MEASUREMENT PART IS MARK THE ENGLISH LETTER OF ALPHABET FOR THE LORD)		
2、外观: 目视(30-50cm) 不可有腐蚀、刮伤或氧化现象。 Appearance: Visual inspection (30-50cm) Terminal without corrosion, scratched or oxidized		
五、符合ROHS或客户环保要求 RoHS Pass or Fulfilled Customer's Requirement		
六、备注: NOTE		
DESCRIPTION(修改内容)	APPD (核准)	DATE (日期)



版本:  
REV.



所下载之产品规格表仅供参考用 The products of download is only for reference