

文件名称 File Name	产品规格表 Product Specification
文件编号 File NO.	
产品料号 Part NO.	K350315BS1
规格 Spec.	-
材质 Material	黄铜 (Brass) (C2680)
配合公端 Connection Table	-
包装数量 Pack Q'TY	15000pcs/Reel
适用电线 Applicable Wires	20-22AWG
单重 weight single	-
尺寸单位 Units	mm
UL NO.	-
表面处理 Surface Treatment	<input type="checkbox"/> 素材 None <input checked="" type="checkbox"/> 镀镍 Nickel Plating <input type="checkbox"/> 镀锡 Tin Plating <input type="checkbox"/> 抛光 Chemical Grinding <input type="checkbox"/> 镀银 Silver Plating <input type="checkbox"/> 镀金 Gold Plating

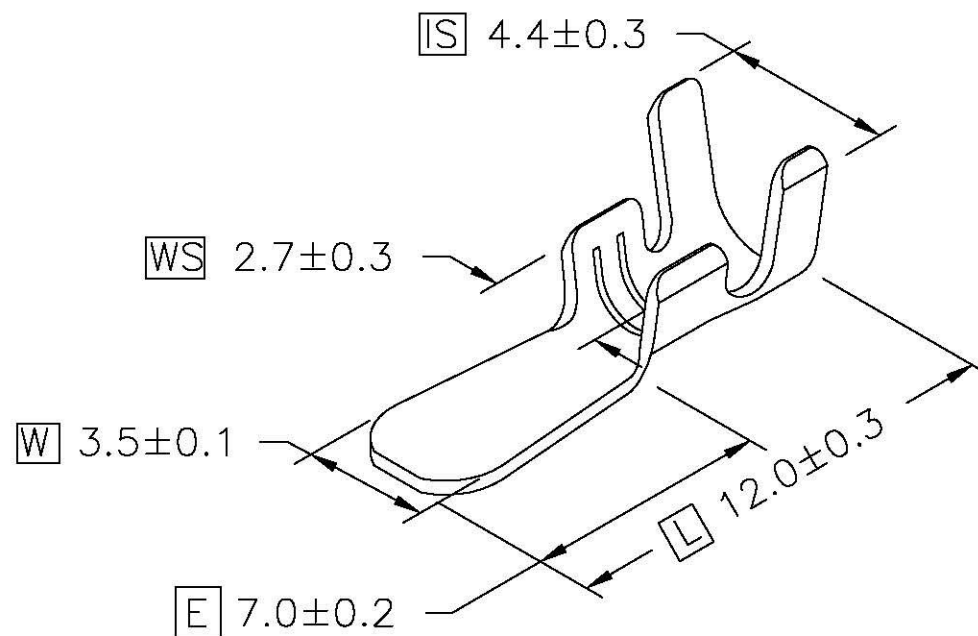
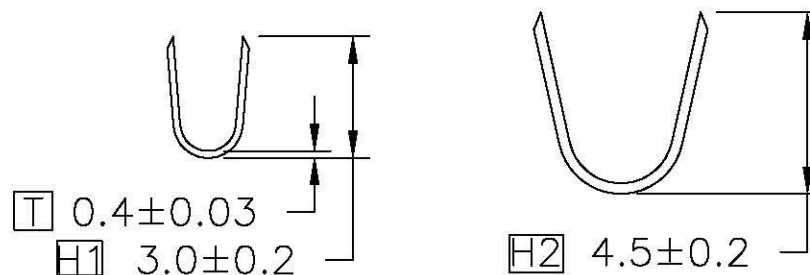
一、未注明参考尺寸公差:
General tolerance for reference dimension

0 ±0.2	0.0 ±0.2
0.00 ±0.1	0.000 ±0.05

 二、角度公差: ±3°
ANGLE UNITS
 三、适用范围:
APPLICABILITY
 四、检查项目:
CHECK ITEM
 1、尺寸量测及规格确认。(量测部位以标英文字母为主)
DIMENSION MENSION MEASUREMENT AND SPECIFICATION CONFIRMATION.
(THE MEASUREMENT PART IS MARK THE ENGLISH LETTER OF ALPHABET FOR THE LORD)
 2、外观: 目视 (30-50cm) 不可有腐蚀、刮伤或氧化现象。
Appearance: Visual inspection (30-50cm) Terminal without corrosion, scratched or oxidized
 五、符合ROHS或客户环保要求
RoHS Pass or Fulfilled Customer's Requirement

六、备注:
NOTE

DESCRIPTION (修改内容)	APPD (核准)	DATE (日期)
--------------------	-----------	-----------



版本: REV.	
-------------	--

所下载之产品规格表仅供参考用 The products of download is only for reference