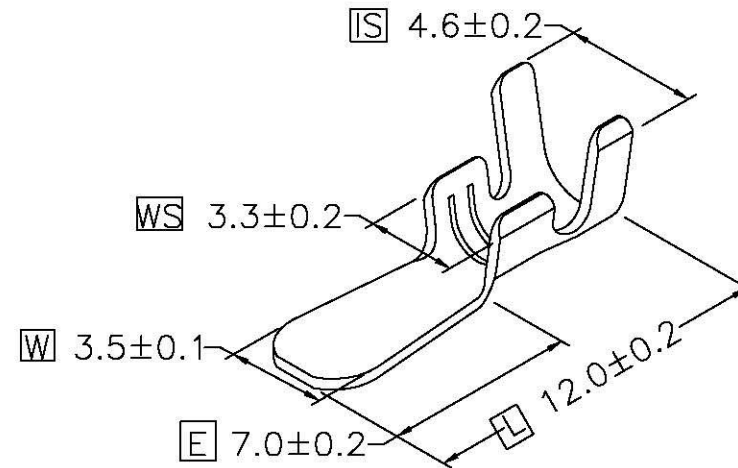
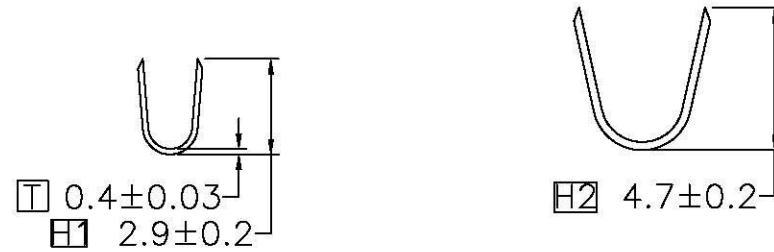
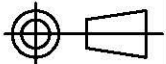


文件名称 File Name	产品规格表 Product Specification				
文件编号 File NO.					
产品料号 Part NO.	K350312BS1				
规格 Spec.	-				
材质 Material	黄铜 (Brass) (C2680)				
配合公端 Connection Table	-				
包装数量 Pack Q'TY	15000pcs/Reel				
适用电线 Applicable Wires	18-20AWG				
单重 weight single	-				
尺寸单位 Units	mm				
UL NO.	E207458				
表面处理 Surface Treatment	<input type="checkbox"/> 素材 None <input checked="" type="checkbox"/> 镀镍 Nickel Plating <input type="checkbox"/> 镀锡 Tin Plating <input type="checkbox"/> 抛光 Chemical Grinding <input type="checkbox"/> 镀银 Silver Plating <input type="checkbox"/> 镀金 Gold Plating				
<p>一、未注明参考尺寸公差: General tolerance for reference dimension</p> <table border="1"> <tr> <td>0 ±0.2</td> <td>0.0 ±0.2</td> </tr> <tr> <td>0.00 ±0.1</td> <td>0.000 ±0.05</td> </tr> </table> <p>二、角度公差: ±3° ANGLE UNITS</p> <p>三、适用范围: APPLICABILITY</p> <p>四、检查项目: CHECK ITEM</p> <p>1、尺寸量测及规格确认。(量测部位以标英文字母为主) DIMENSION MENSION MEASUREMENT AND SPECIFICATION CONFIRMATION. (THE MEASUREMENT PART IS MARK THE ENGLISH LETTER OF ALPHABET FOR THE LORD)</p> <p>2、外观:目视(30-50cm)不可有腐蚀、刮伤或氧化现象。 Appearance: Visual inspection (30-50cm) Terminal without corrosion, scratched or oxidized</p> <p>五、符合ROHS或客户环保要求 RoHS Pass or Fulfilled Customer's Requirement</p>		0 ±0.2	0.0 ±0.2	0.00 ±0.1	0.000 ±0.05
0 ±0.2	0.0 ±0.2				
0.00 ±0.1	0.000 ±0.05				
六、备注: NOTE					



版本:
REV.



DESCRIPTION (修改内容)

APPD (核准)

DATE (日期)

所下载之产品规格表仅供参考用 The products of download is only for reference