

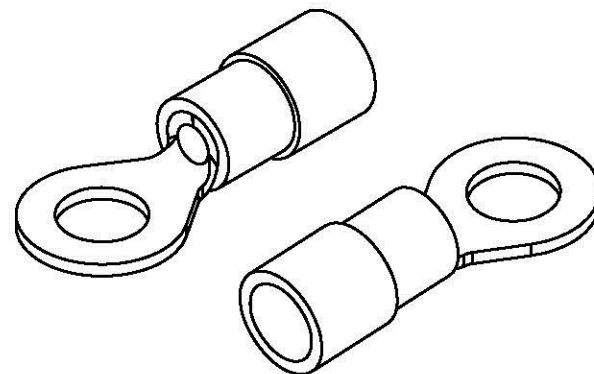
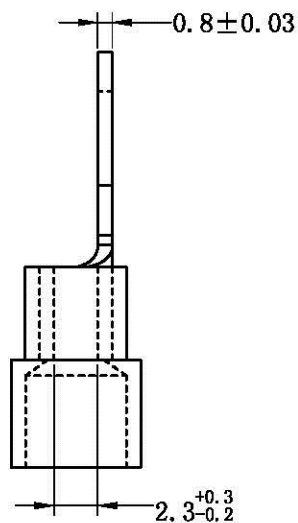
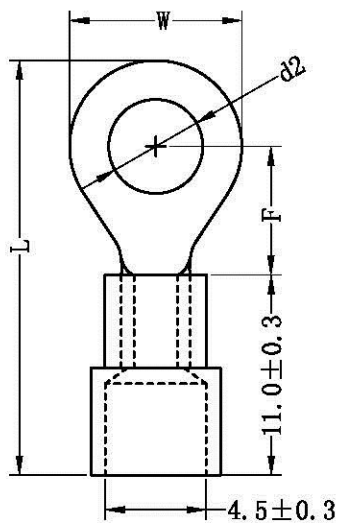
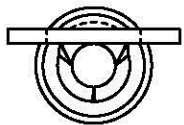
4

3

2

1

Item No. 料号	螺栓规格		mm/inch主要尺寸		
	Stud Size	d2±0.2	W±0.2	F±0.3	L±0.5
315053SFNM	#10	5.3(.209)	8.5(.335)	7.6(.299)	22.9(.902)



- 1 适用电线(Wire Range): 16-14AWG (1.5-2.5mm²)
- 2 耐用电流(Max Electricity): 27A
- 3 端子材质(Terminal Body): 红铜(Copper)
- 4 护套材质(Insulation): 尼龙(Nylon)/蓝色(Blue)
- 5 表面处理(Plating): 镀锡(Tin)

All Connectors

www.allconnectors.de

info@allconnectors.de

Tel.: 0049 711 7009503

Fax: 0049 711 7009504

70794 Filderstadt - Germany

Kettenerstr. 25

变更内容Modify Content:

变更日期Modify Time:

确认Affirm:

审核Audit:

图纸编号Drawing Code:

绘图Drawing: 顾迁兵

确认Affirm:

审核Audit:

日期Date: Jan-19-11 页次Page: 1 OF 1

4

3

2

1