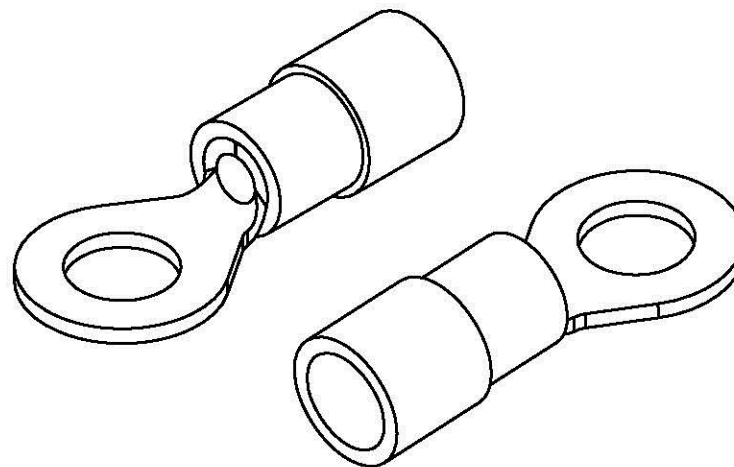
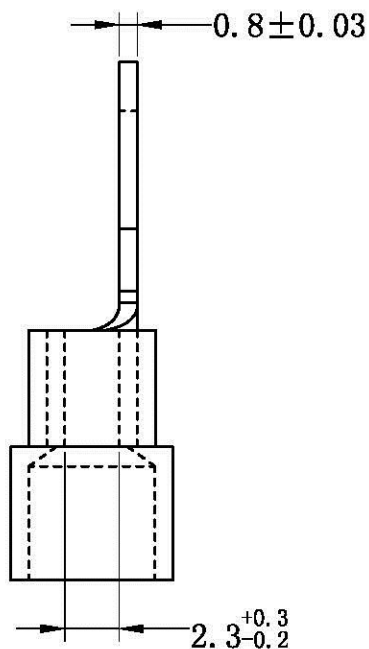
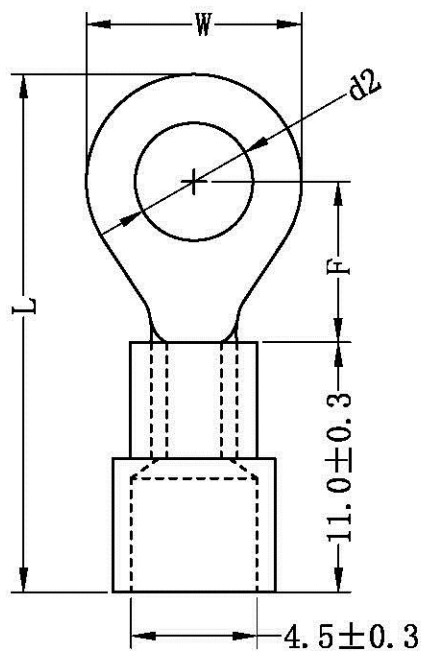


Item No. 料号	螺栓规格		mm/inch主要尺寸		
	Stud Size	d2±0.2	W±0.2	F±0.3	L±0.5
315043FNM	#8	4.3(.169)	8.5(.335)	7.8(.307)	23.0(.906)



- 1 适用电线 (Wire Range): 16-14AWG (1.5-2.5mm²)
- 2 耐用电流 (Max Electricity): 27A
- 3 端子材质 (Terminal Body): 红铜 (Copper)
- 4 护套材质 (Insulation): 尼龙 (Nylon) / 蓝色 (Blue)
- 5 表面处理 (Plating): 镀锡 (Tin)

All Connectors

www.allconnectors.de
Tel.: 0049 711 7009503
70794 Filderstadt - Germany

info@allconnectors.de
Fax: 0049 711 7009504
Kettenerstr. 25

变更内容Modify Content:

变更日期Modify Time:

确认Affirm:

审核Audit:

图纸编号Drawing Code:

绘图Drawing: 顾迁兵

确认Affirm:

审核Audit:

日期Date: Oct-19-10

页次Page: 1 OF 1