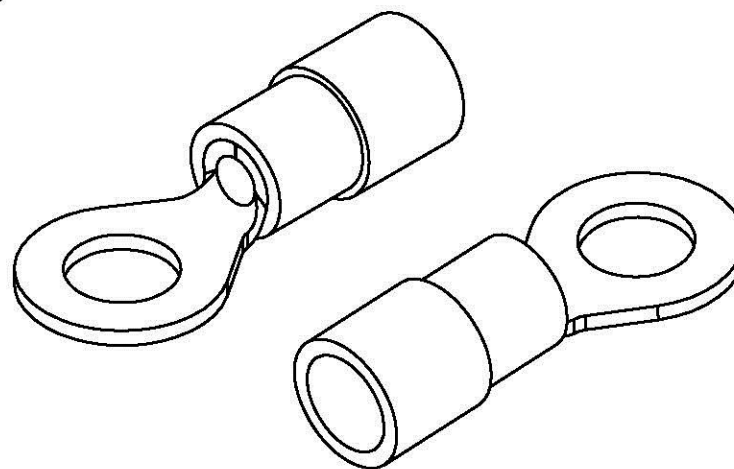
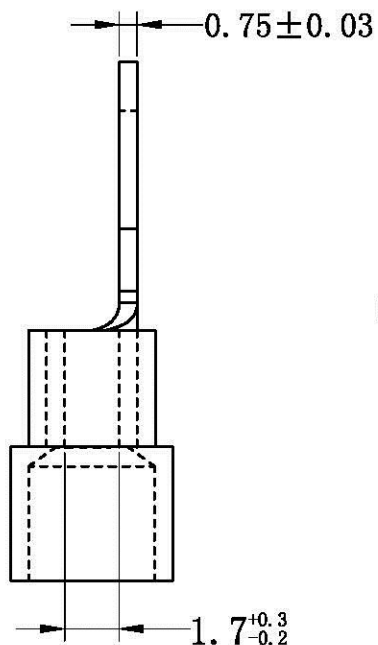
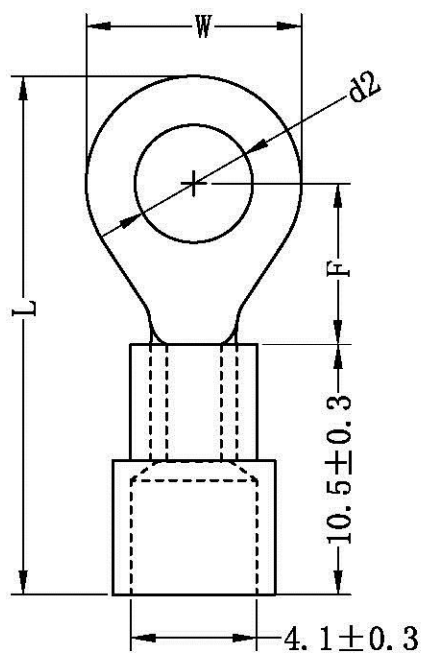


Item No. 料号	螺栓规格		mm/inch主要尺寸		
	Stud Size	d2±0.2	W±0.2	F±0.3	L±0.5
311043FNM	#8	4.3(.169)	8.0(.315)	7.0(.276)	21.5(.847)



- 1 适用电线 (Wire Range): 22-16AWG (0.5-1.5mm<sup>2</sup>)
- 2 耐用电流 (Max Electricity): 19A
- 3 端子材质 (Terminal Body): 红铜 (Copper)
- 4 护套材质 (Insulation): 尼龙 (Nylon) / 红色 (Red)
- 5 表面处理 (Plating): 镀锡 (Tin)

**All Connectors**

www.allconnectors.de  
Tel.: 0049 711 7009503  
70794 Filderstadt - Germany

info@allconnectors.de  
Fax: 0049 711 7009504  
Kettenerstr. 25

变更内容Modify Content:

变更日期Modify Time:

确认Affirm:

审核Audit:

图纸编号Drawing Code:

绘图Drawing: 唐程

确认Affirm:

审核Audit:

日期Date: 10-06-19

页次Page: 1 OF 1