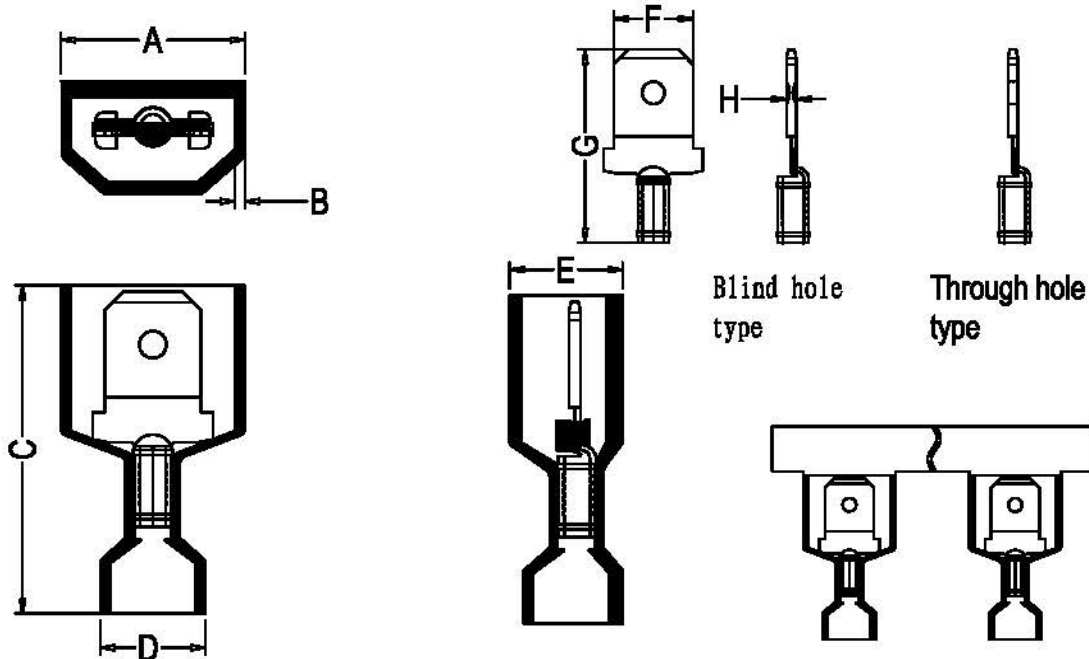
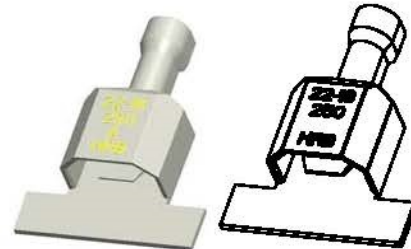


# .250"Series Nylon-Insulated Male Terminal



## SPECIFICATIONS:

- Current Rating:AWG#22~#18 :10A AC,DC  
AWG#16~#14 :15A AC,DC
- Voltage Rating:300V AC,DC
- Operating temperature:-25℃~+105℃
- Material:Housing:Nylon66 UL 94V-2  
Terminal:Brass.Tin-plated
- Tab Size:6.35x0.80mm
- The Insertion Force And Male Terminal:7.8kg (max.)
- The Withdrawal Force And Male Terminal:3.0kg (Min.)
- Crimp tensile strength:AWG#22~#18:5.0kg(Min.)  
AWG#16~#14:10.0kg(Min.)
- cRUs File No:E322751



## ordering information and dimensions

	Part NO.	A	B	C	D	E	F	G	H	Wire Size	Ins.Dia.max
250#	M6351FN(S)-5(8)-b1	12.30	0.78	23.70	8.30	7.50	6.30	15.60	0.80	AWG#16~#14	6.60mm
	M6351FN(S)-5(8)-b1(A)	12.30	0.78	23.70	8.30	7.50	6.30	15.60	0.80	AWG#16~#14	6.60mm
	M6351FN(S)-5(8)-R	12.30	0.78	21.80	5.20	7.50	6.30	15.60	0.80	AWG#22~#18	3.05mm
	M6351FN(S)-5(8)-R(A)	12.30	0.78	21.80	5.20	7.50	6.30	15.60	0.80	AWG#22~#18	3.05mm
	M6351FN(S)-5(8)-b	12.30	0.78	21.80	6.05	7.50	6.30	15.60	0.80	AWG#16~#14	4.06mm
	M6351FN(S)-5(8)-b(A)	12.30	0.78	21.80	6.05	7.50	6.30	15.60	0.80	AWG#16~#14	4.06mm
	M6351FN(S)-5(8)-R1	12.30	0.78	23.70	7.30	7.50	6.30	15.60	0.80	AWG#22~#18	5.84mm
	M6351FN(S)-5(8)-R1(A)	12.30	0.78	23.70	7.30	7.50	6.30	15.60	0.80	AWG#22~#18	5.84mm



www.allconnectors.de  
Tel.: 0049 713 40 99 010  
70794 Filderstadt - Germany

info@allconnectors.de  
Fax: 0049 713 200549  
kettnerstr. 25