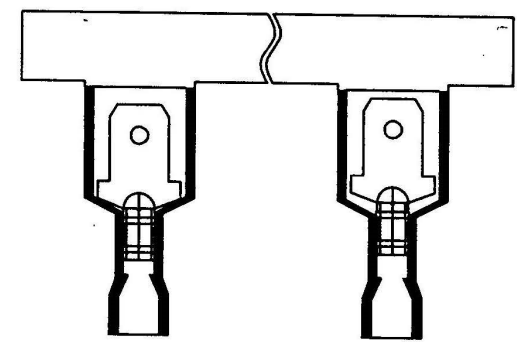
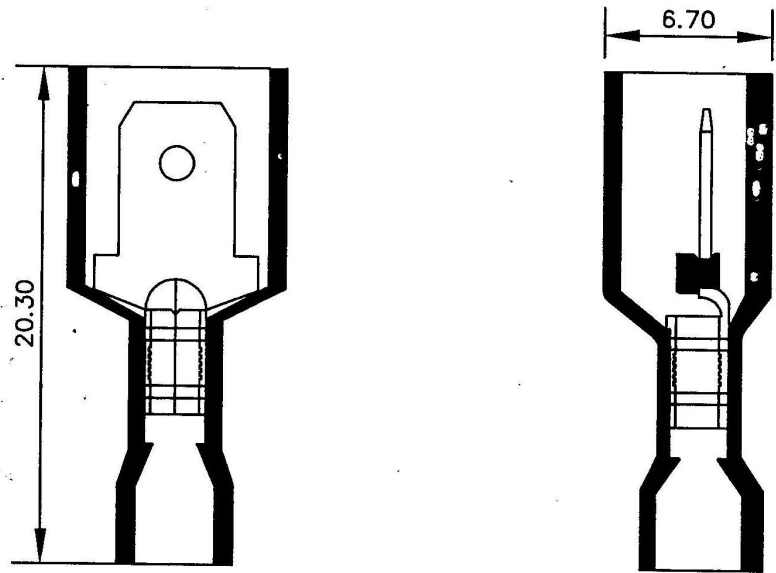
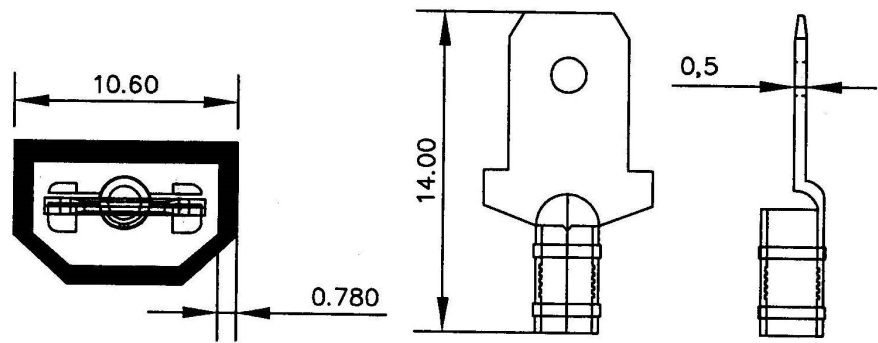


东莞市博福电子有限公司
2010-10-06
图面发行章

SPECIFICATIONS:

Current rating: 10A AC, DC
Voltage rating: 300V AC, DC
Temperature range: -25°C ~ +105°C
Part No: M6351FN(S)-8(5)-R (连续包装)
M6351FN(L)-8(5)-R (单粒包装)

MATERIAL:
Housing: Nylon66 UL 94V-2
Terminal: Brass.Tin
Tab Size: 4.75x0.50mm Hole Detent
Line Rally: 22#-18# Ins. Dia. MAX: 3.05mm
The insertion force And Male Terminal: ≤7.8kg
The withdrawal force And Male Terminal: ≥3.0kg
Line Terminal and the force: ≥5.0kg



Part name (零件名称)	Editor (版本)	Date (日期)
M6351FN(S/L)-8(5)-R	A	2010.10.05
drawing number(图号)		
CRS055-02		

UNIT: mm
Tolerance:
.000 ±0.05
.00 ±0.20
.0 ±0.30



Allconnectors

www.allconnectors.de
Tel.: 0049 711 7009503
70794 Filderstadt - Germany

info@allconnectors.de
Fax: 0049 711 7009504
Kettnerstr. 25

Drawing
(制图)
王慧

Confirmation
(审核)
5 Oct. 2010