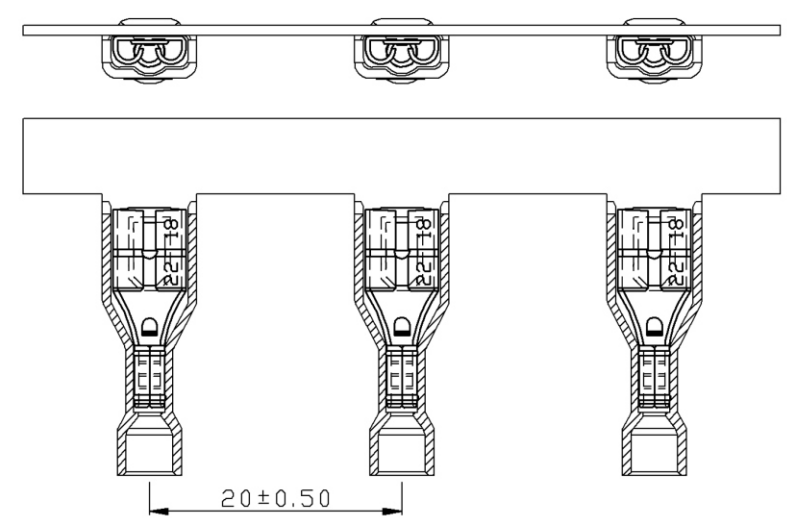


- NOTE :
1. MAXIMUM ELECTRIC CURRENT : 

A.W.G.	22	20	18
AMP.	3	4	7
  2. MAXIMUM ELECTRICAL RATING : 105°C 600 VOLTS MAX.
  3. INSULATION MATERIAL : NYLON
  4. INSULATION COLOR : RED
  5. TERMINAL MATERIAL : BRASS
  6. WIRE RANGE : 22-18 A.W.G. ( 0.5-0.75 mm<sup>2</sup> )
  7. NEMA TAB : 0.020 inch \* 0.187 inch (0.5 mm \* 4.75 mm)
  8. TERMINAL SURFACE TREATMENT : TIN PLATED
  9. TERMINAL THICKNESS : 0.35 mm



Q187-FT5NFDR-18-LF  
LEADFREE  
RoHS Compliant

**Allconnectors**  
www.allconnectors.eu | info@allconnectors.eu  
Tel. +49 (0)711 / 358 110 20 | Fax +49 (0)711 / 358 110 25

PART NO. Q187-FT5NFDR-18		CHECKED BY CY		TOLERANCES ARE .X ± 0.2 .XX ± .XXX ± AWG	DESCRIPTION:			
DWG NO. Q187-FT5NFDR-18		DRAWING BY						
FILE NO.		PROJECTION		AREA	REVISIONS	HK	DATE	
UNIT / mm	SCALE 1:1							