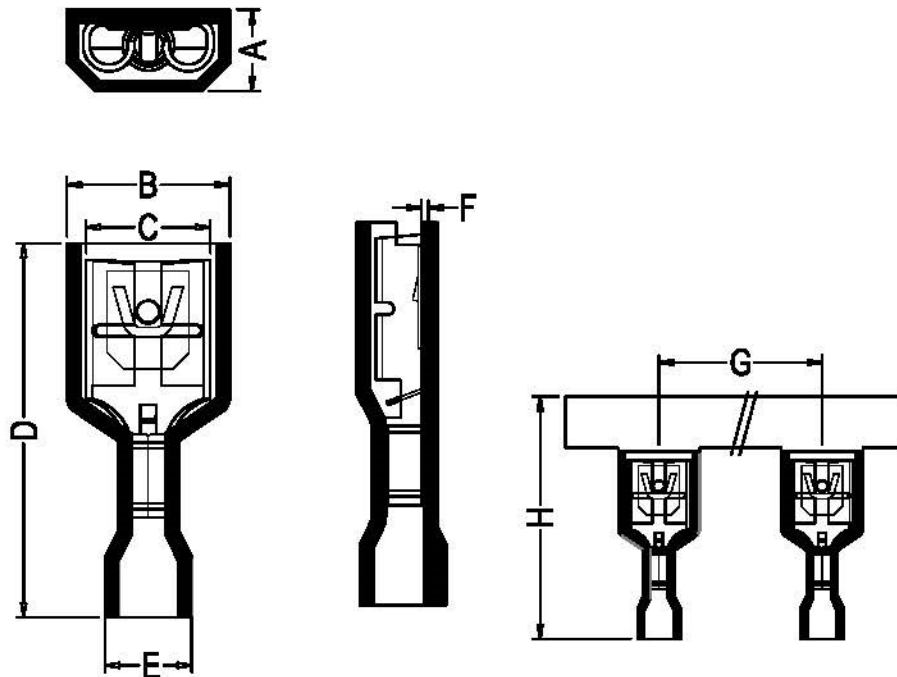
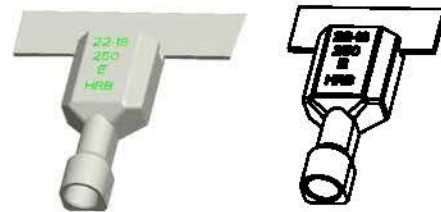


.250" Series Nylon-insulated Female Terminal



SPECIFICATIONS:

- Current Rating: AWG#22~#18 :10A AC,DC
AWG#16~#14 :15A AC,DC
AWG#12~#10:24A AC,DC
- Voltage Rating:300V AC,DC
- Operating Temperature:-25℃~+105℃
- Material:Housing:Nylon66 UL 94V-2
Terminal:Brass.Tin-Plated
- Tab Size: 6.35x0.80mm
- The Insertion Force And Male Terminal:7.8kg (max.)
- The withdrawal Force And Male Terminal:3.0kg (Min.)
- Crimp tensile strength:AWG#22~#18:5.0kg (Min.)
AWG#16~#14:10.0kg (Min.)
AWG#12~#10:34.0kg (Min.)
- US File No:E322751



Ordering information and dimensions

250#	Part NO.	A	B	C	D	E	F	G	H	Wire Size	Ins.Dia.max
	M6350FN(S)-5(8)-R	4.92	9.73	7.60	21.60	5.35	0.40	18.78	28.20	AWG#22~#18	3.05mm
M6350FN(S)-5(8)-R1	4.92	9.70	7.60	23.70	7.50	0.40	18.78	29.30	AWG#22~#18	5.84mm	
M6350FN(S)-5(8)-b	4.92	9.73	7.60	21.60	6.15	0.40	18.78	28.20	AWG#16~#14	4.06mm	
M6350FN(S)-5(8)-b1	4.92	9.73	7.60	23.60	8.30	0.40	18.78	29.30	AWG#16~#14	6.60mm	
M6350FN(S)-5(8)-Y	6.40	9.75	7.60	23.60	10.20	0.40	18.80	28.10	AWG#12~#10	8.13mm	

