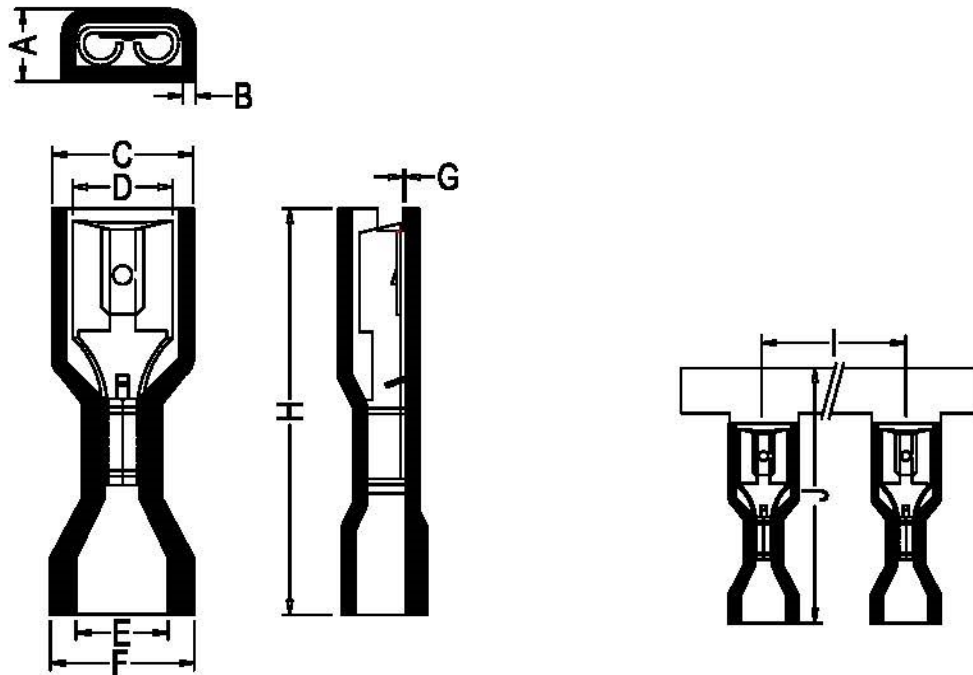
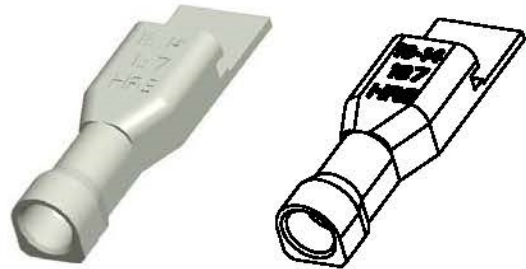


.187" Series Nylon-insulated Female Terminal



SPECIFICATIONS:

- Current Rating: AWG#22~#18 :10A AC,DC
AWG#16~14 :15A AC,DC
- Voltage rating:300V AC,DC
- Operating temperature:-25°C~+105°C
- Material:Housing:Nylon66 UL 94V-2
Terminal:Brass.Tin-plated
- Tab Size:4.75x0.50 mm Or 4.75x0.80 mm
- The Insertion Force And Male Terminal:7.8kg (max.)
- The Withdrawal Force And Male Terminal:3.0kg (Min.)
- Crimp tensile strength:AWG#22~#18:5.0kg (Min.)
AWG#16~#14:10.0kg (Min.)
- us File No:E322751



ordering information and dimensions

187#	Part NO.	A	B	C	D	E	F	G	H	I	J	Wire Size	Ins.Dia.max
	M6350FN(S)-8(5)-R1	4.20	0.75	7.80	5.87	6.15	7.60	0.35	23.90	18.75	30.40	AWG#22~#18	5.84mm
M6350FN(S)-8(5)-R	4.20	0.75	7.80	5.87	3.80	5.30	0.35	21.90	18.75	28.30	AWG#22~#18	3.05mm	
M6350FN(S)-8(5)-b1	4.70	0.75	7.80	5.87	6.85	8.30	0.35	23.90	18.75	30.30	AWG#16~#14	6.60mm	
M6350FN(S)-8(5)-b	4.70	0.75	7.80	5.87	4.30	5.80	0.35	21.90	18.75	28.30	AWG#16~#14	4.06mm	
M6350FN(S)-8(8)-R1	4.20	0.75	7.80	5.87	6.15	7.60	0.35	23.90	18.75	30.40	AWG#22~#18	5.84mm	
M6350FN(S)-8(8)-R	4.20	0.75	7.80	3.80	5.30	7.60	0.35	21.90	18.75	28.30	AWG#22~#18	3.05mm	
M6350FN(S)-8(8)-b1	4.70	0.75	7.80	5.87	6.85	8.30	0.35	23.90	18.75	30.30	AWG#16~#14	6.60mm	
M6350FN(S)-8(8)-b	4.70	0.75	7.80	5.87	4.30	5.80	0.35	21.90	18.75	28.30	AWG#16~#14	4.06mm	



www.allconnectors.de
Tel: 0049 711 3069503
72041 Ulm/Herbstadt - Germany

info@allconnectors.de
Fax: 0049 711 3069504
Kettnerstr. 25