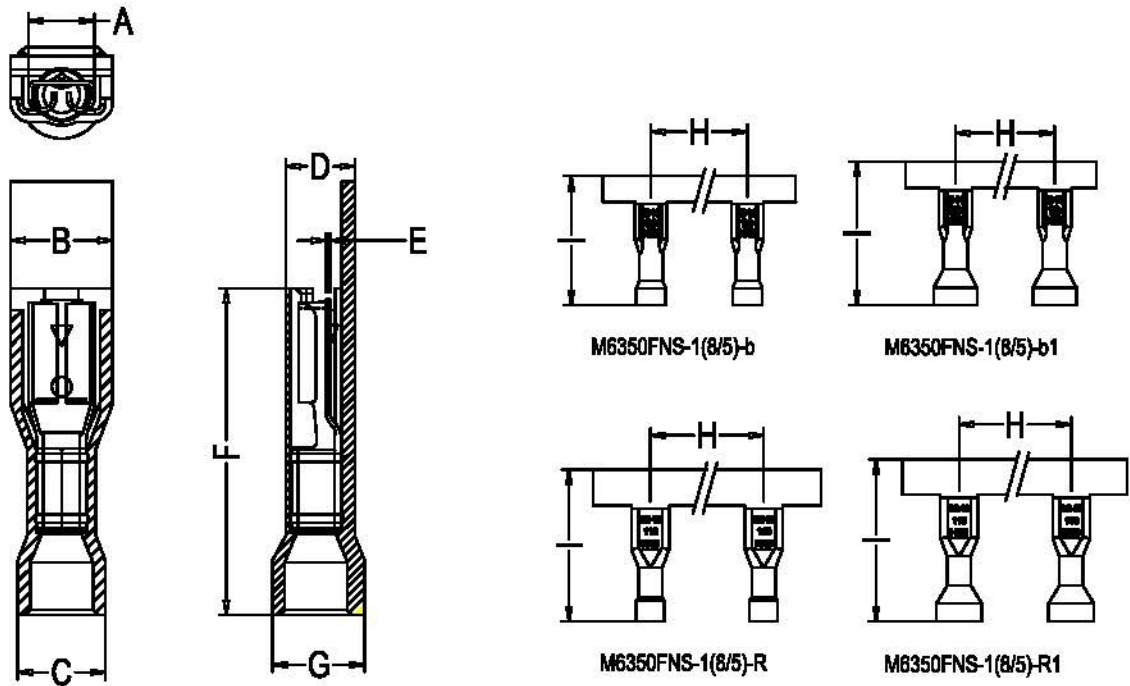
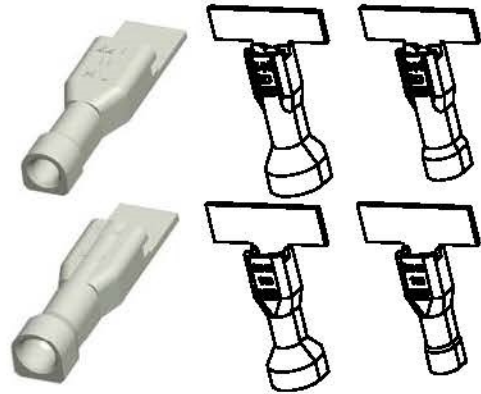


.110ⁿ Series Nylon-insulated Female Terminal



SPECIFICATIONS:

- Current Rating: AWG#22~#18:10A AC,DC
AWG#16~#14:15A AC,DC
- Voltage Rating: 300V AC,DC
- Temperature Range: -25°C~+105°C
- Material: Housing: Nylon66 UL 94V-2
Terminal: Brass. Tin-plated
- Tab Size: 2.80x0.80mm Or 2.80x0.50mm
- The Insertion Force And Male Terminal: 7.8kg (max.)
- The withdrawal Force And Male Terminal: 3.0kg (Min.)
- Crimp tensile strength: AWG#22~#18: 5.0kg (Min.)
AWG#16~#14: 10.0kg (Min.)
- File No: E322751



Ordering Information And Dimensions

| 110# | Part NO. | A | B | C | D | E | F | G | H | I | Wire Size | Ins.Dia.max |
|--------------------|-------------------|------|------|------|------|-------|-------|-------|-------|-------|------------|-------------|
| | M6350FN(S)-1(8)-R | 4.00 | 6.30 | 4.70 | 4.05 | 0.25 | 18.80 | 4.70 | 18.90 | 27.30 | | AWG#22~#18 |
| M6350FN(S)-1(8)-R1 | 4.00 | 6.30 | 7.60 | 4.05 | 0.25 | 20.80 | 7.60 | 18.90 | 25.30 | | AWG#22~#18 | 5.84mm |
| M6350FN(S)-1(8)-b | 4.00 | 6.30 | 5.80 | 4.65 | 0.25 | 19.80 | 5.85 | 18.90 | 25.30 | | AWG#16~#14 | 4.06mm |
| M6350FN(S)-1(8)-b1 | 4.00 | 6.30 | 8.30 | 4.65 | 0.25 | 21.80 | 8.35 | 18.90 | 27.30 | | AWG#16~#14 | 6.60mm |
| M6350FN(S)-1(5)-R | 4.00 | 6.30 | 4.70 | 4.05 | 0.25 | 18.80 | 4.70 | 18.90 | 27.30 | | AWG#22~#18 | 3.05mm |
| M6350FN(S)-1(5)-R1 | 4.00 | 6.30 | 7.60 | 4.05 | 0.25 | 20.80 | 7.60 | 18.90 | 25.30 | | AWG#22~#18 | 5.84mm |
| M6350FN(S)-1(5)-b | 4.00 | 6.30 | 5.80 | 4.65 | 0.25 | 19.80 | 5.85 | 18.90 | 25.30 | | AWG#16~#14 | 4.06mm |
| M6350FN(S)-1(5)-b1 | 4.00 | 6.30 | 8.30 | 4.65 | 0.25 | 21.80 | 8.35 | 18.90 | 27.30 | | AWG#16~#14 | 6.60mm |
| M6350FN(S)-1(5)-P | 4.00 | 6.20 | 3.60 | 4.00 | 0.25 | 18.80 | 3.80 | 18.90 | 25.30 | | AWG#26~#22 | 2.50mm |
| M6350FN(S)-1(8)-P | 4.00 | 6.20 | 3.60 | 4.00 | 0.25 | 18.80 | 3.80 | 18.90 | 25.30 | | AWG#26~#22 | 2.50mm |



www.allconnectors.de
Tel.: 0049 711 7009503
41174 Hilderstadt - Germany

info@allconnectors.de
Fax: 0049 711 7009504
Kettmertsstr. 25