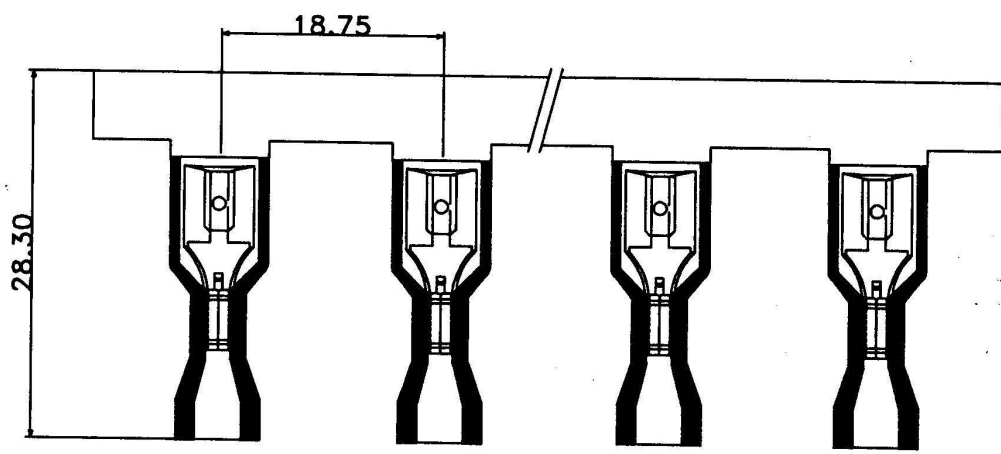
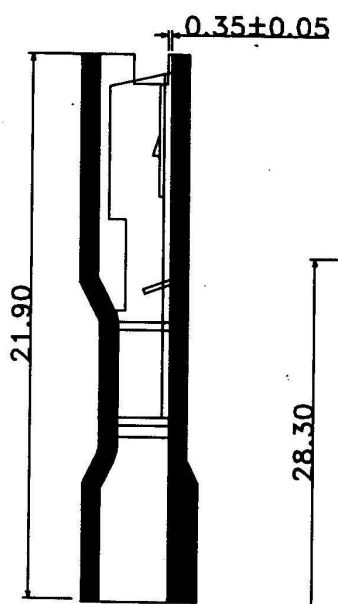
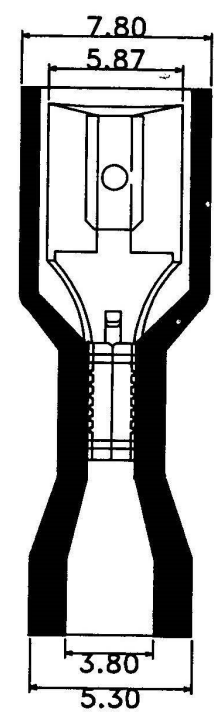
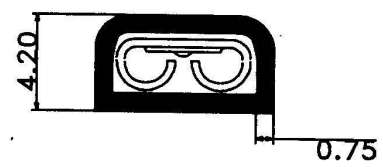


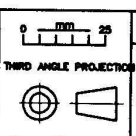
东莞市鹤禧电子有限公司
2010-10-06
图面发行章

SPECIFICATIONS:

Current rating:10A AC,DC
Voltage rating:300V AC,DC
Temperature range:-25°C~+105°C
Part No:M6350FN(S)-8(5)-R (连续包装)
M6350FN(L)-8(5)-R (单粒包装)
Material:Housing:Nylon66 UL 94V-2
Terminal:Brass.Tin
Tab Size:4.75x0.50mm
Applicable Wires:AWG#18-#22 Ins. Dia. Max:3.05mm
The insertion force And Male Terminal:≤7.8kg
The withdrawal force And Male Terminal:≥3.0kg
Line Terminal and the force:≥5.0kg
File No:E322751



Part name (零件名称)	Edition (版本)	Date (日期)
M6350FN(S)-8(5)-R	B	2010.10.05
drawing number(图号)		
CRS054-05		



UNIT: mm
Tolerance:
.000 ±0.05
.00 ±0.20
.0 ±0.30



Allconnectors

www.allconnectors.de
Tel.: 0049 711 7009503
70794 Filderstadt - Germany
info@allconnectors.de
Fax: 0049 711 7009504
Kettnerstr. 25

Drawing
(制图)
王慧

Confirmation
(审核)
[Signature]
5 Oct, 2010