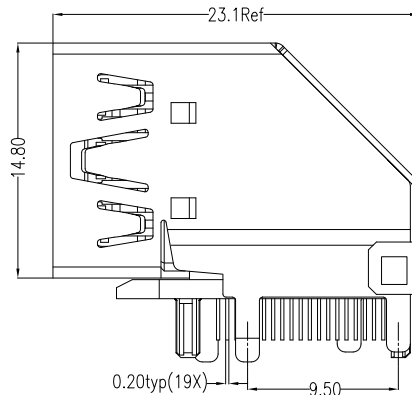
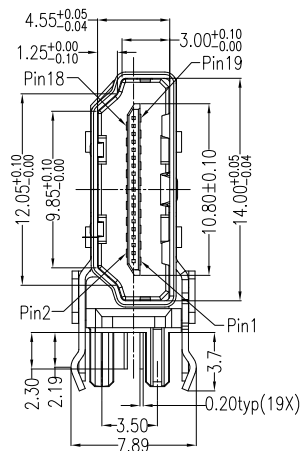
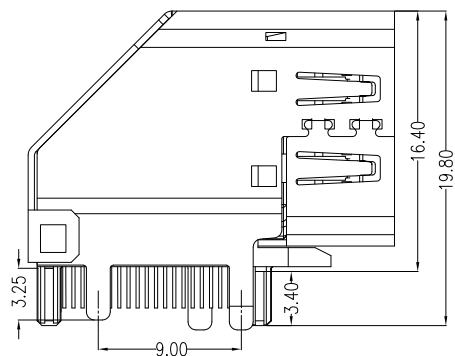
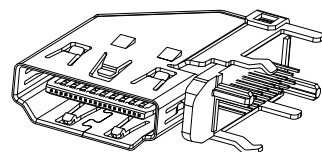
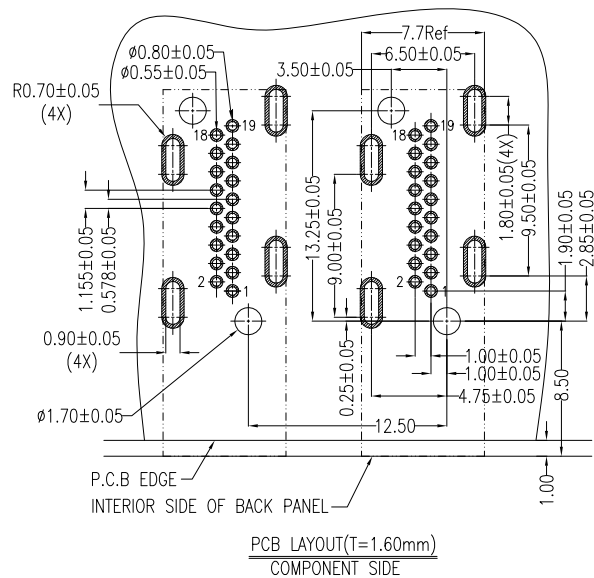
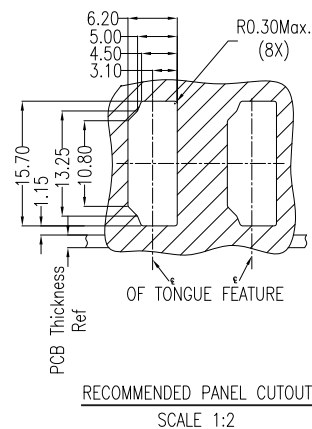
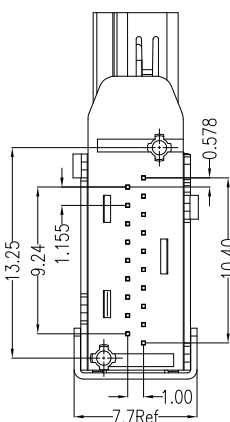


REV.	ECN.NO.	DATE
A	RELEASED	09/27-'11



No.	Signal Name	No.	Signal Name
1	TMDS Data2+	11	TMDS Clock Shield
2	TMDS Data2 Shield	12	TMDS Clock-
3	TMDS Data2-	13	CEC
4	TMDS Data1+	14	Reserved (in cable but N.C. on device)
5	TMDS Data1 Shield	15	SCL
6	TMDS Data1-	16	SDA
7	TMDS Data0+	17	DDC/CEC Ground
8	TMDS Data0 Shield	18	+5V Power
9	TMDS Data0-	19	Hot Plug Detect
10	TMDS Clock+		



## NOTES:

### \*Material

Housing: PBT+30%G.F., UL 94V-0 Rated;  
 Color: Black.  
 Spacer: Nylon66+30%G.F., UL 94V-0 Rated;  
 Color: Black.  
 Shell: SUS  
 Plating: Ni(40u" Min.) Plating .  
 Contact: Brass.  
 Plating: Au plating on contact area;  
 Sn(100u" Min.) plating on solder tail;  
 Ni(40u" Min.) underplating overall.

### \*Electrical Specification

Operation Voltage: 40 VAC Max.  
 Current Rating: 0.5 Ampere per contact  
 Contact Resistance: 10 mΩ Max.  
 Insulation Resistance: 100 MΩ Min.  
 Dielectric Withstanding Voltage: 500 VAC

### \*Environmental

Operating Temperature: -55°C to +85°C

### \*How To Order

WHDR-19D1BBNU3N

Series NO. \_\_\_\_\_ N:No Mark  
 Number of Contacts \_\_\_\_\_ 3:Tray  
 Au A:>0.8u" B:5u" \_\_\_\_\_ U:Lead Free  
 C:10u" D:15u" F:30u" \_\_\_\_\_ N:No Flange  
 1:DIP(2.30) \_\_\_\_\_ B:Brass  
 B: PBT \_\_\_\_\_

REV		Units		Drawing By		Date	
mm	Scale	2:1	Liyfeng	09/27-'11	 <small>www.allconnectors.eu   info@allconnectors.eu            Tel. +49 (0)711 / 358 110 20   Fax +49 (0)711 / 358 110 25</small>		
Tolerance Unless Otherwise Specified			Reviewed By	Date			
.X	~ ±0.38		HQ	09/27-'11	Date	09/27-'11	Title HDMI 19P Upright DIP Type Male
.XX	~ ±0.25		Approval By	Date	Sheet	1 of 1	
.XXX	~ ±0.20		Richard	09/27-'11	Third Angle Projection		
Angle	~ ± 3°						Drawing No. WHDR-19PS-AN-N82 REV A