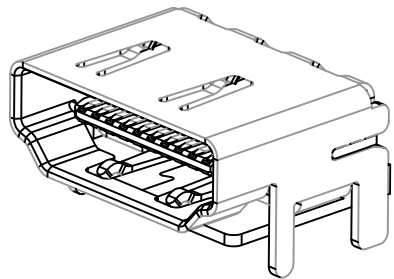
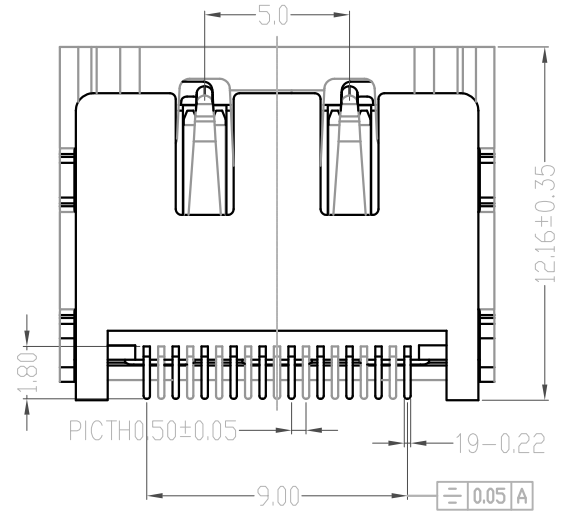
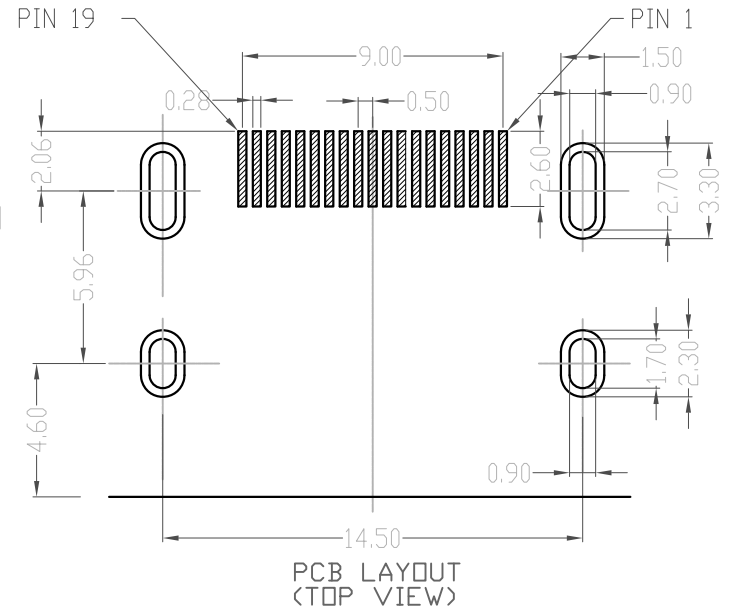
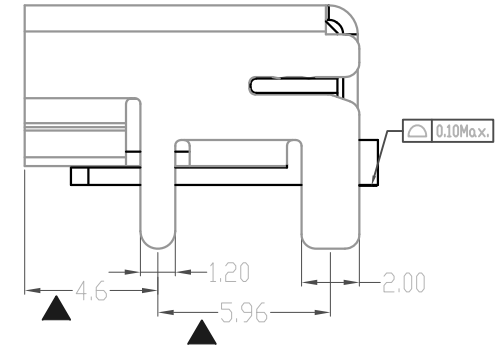
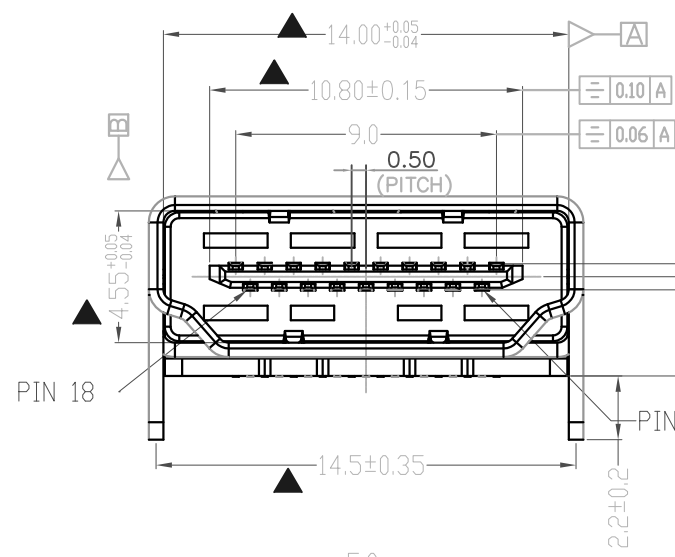


REV	ZONE	REVISION	DATE



W02-HDRS00-A03 X X X X
 ① ② ③ ④

- 1.Shell Material: S - SPCC Material
B - Brass Material
- 2.Shell Plated: T - Tin Plated
N - Ni Plated
G - Gold Plated
- 3.Solder Area Plated: T - Tin Plated
G - Gold 1u" Plated
- 4.Contact Area Plated:
1 - Gold 1u" Plated
2 - Gold 15u" Plated
3 - Gold 30u" Plated

Material and Finish:

- 1.Insulator Material: L.C.P.+30% Glass Filled,UL94V-0,Color:Black
- 2.Contact Material: Phosphor Bronze T=0.20.
- 3.Shell Material: Spcc/Brass H T=0.50.
- 4.Contact Area Plated: Gold 1~30u" Plated Over Nickel 80u".
- 5.Solder Area Plated: Tin 50u"/Gold 1u" Plated Over Cu 80u".
- 6.Shell Plated: Tin/Ni 50u"/Gold 1u" Plated Over Nickel 80u".
- 7.Coplanar Of SMT Terminal Is 0.10 Max.
- 8.Packing:Tray

SPECIFICATION:

- Contact Resistance: 30m Ohm. Max.
- Insulation Resistance: 100M Ohm Min. At 500V DC.
- Contact Current Rating: 0.5A Min;
- Voltage Rating: 40V AC;
- Withstanding Voltage: 500V AC For 1 Minute.
- Durability (Life Test): 10000 cyces at 100±50 cycles per hour;
- Insertion Force: 44.1N Max;
- Withdrawal Force: 9.8N Min;
- Operating Temperature: -20~+85°.
- Control Dimensions Indicated From "▲".

Allconnectors

www.allconnectors.eu | info@allconnectors.eu
 Tel. +49 (0)711 / 358 110 20 | Fax +49 (0)711 / 358 110 25

PART NO.			UNIT	SCALE	TITLE	
W02-HDRS00-A03			mm	1:1	HDMI FEMALE	
APPD.	CKD.	DWG.	DATE	TOLERANCE	SMT TYPE	
			2007/08/30	.x ±0.25 .xx ±0.13	⊕	REV A2

DRAWING No. W02-HDRS00-A03-01