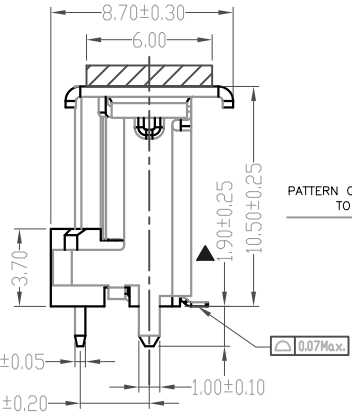
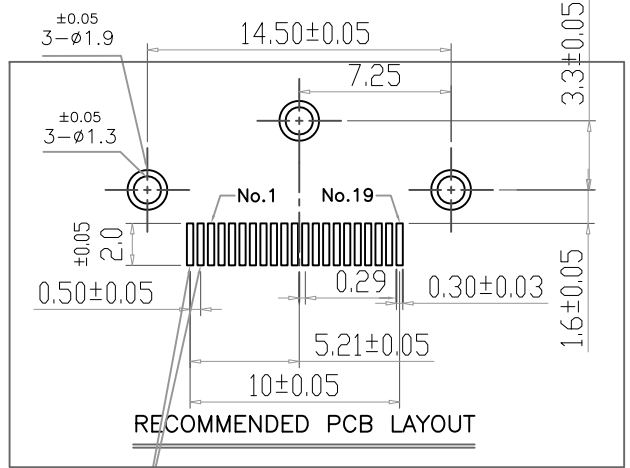
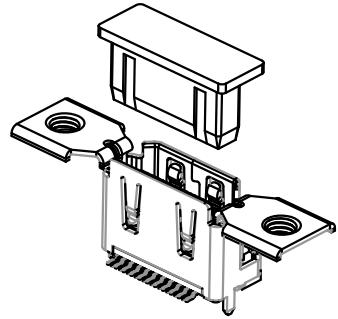
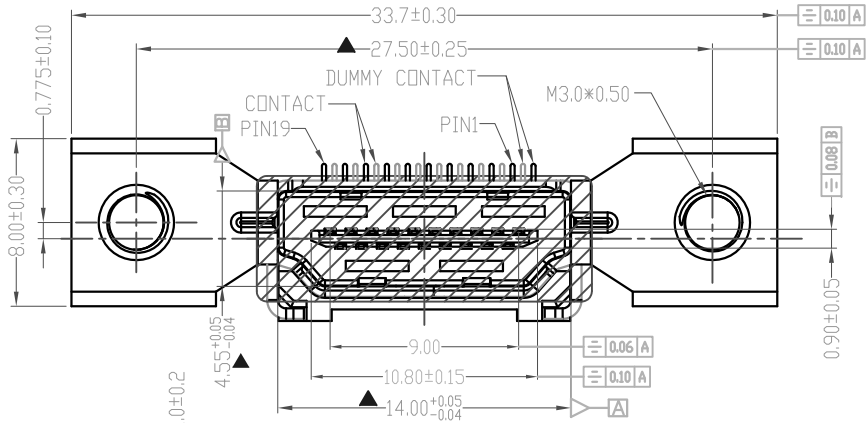
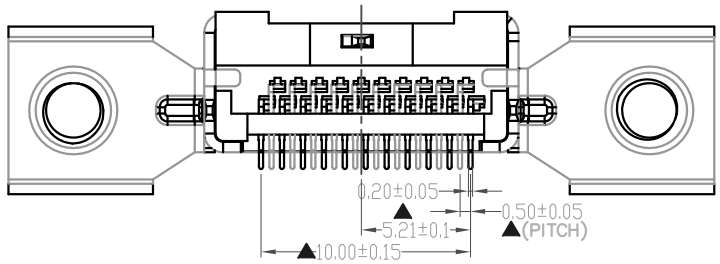
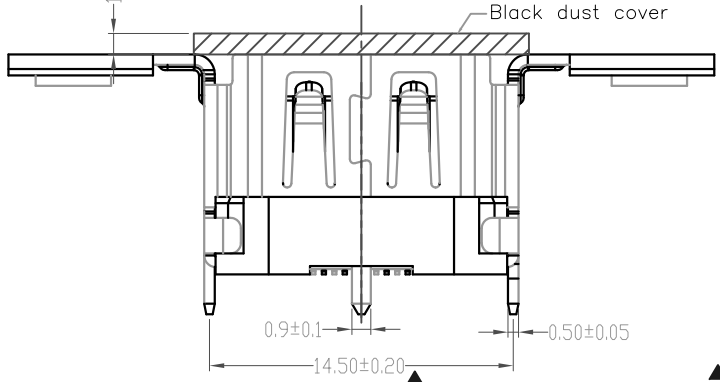


REV	ZONE	REVISION	DATE



PATTERN OF DUMMY CONTACTS SHOULD BE CONNECTED TO 50 OHMS RESISTOR.(REFERENCE)



W02-DHRS10-A06 X X X X  
① ② ③ ④

- 1.Shell Material: S - SPCC Material  
B - Brass Material
- 2.Shell Plated: T - Tin Plated  
N - Ni Plated  
G - Gold Plated
- 3.Solder Area Plated: T - Tin Plated  
G - Gold 1u" Plated
- 4.Contact Area Plated: 1 - Gold 1u" Plated  
2 - Gold 15u" Plated  
3 - Gold 30u" Plated

- Material and Finish:**
- 1.Insulator Material: L.C.P.+30% Glass Filled,UL94V-0,Color:Black
  - 2.Cover Material: LCP+GF30% Glass Filled,UL94V-0,Color:Black
  - 3.Contact Material: Phosphor Bronze T=0.20.
  - 4.Shell Material: Brass T=0.50.
  - 5.Contact Area Plated: Gold 1~30u" Plated Over Nickel 50u".
  - 6.Solder Area Plated:Gold 1u" Plated Over Nickel50u".
  - 7.Shell Plated: Ni 80u" Plated Over Cu 50u".
  - 8.Coplanar Of SMT Terminal Is 0.07 Max.
  - 9.Packing:Tray
  - 10.Control Dimensions Indicated From" ▲ ".

- SPECIFICATION:**
- Contact Resistance: 30m Ohm. Max.
  - Insulation Resistance: 100M Ohm Min. At 500V DC.
  - Contact Current Rating: 0.5A Min;
  - Voltage Rating: 40V AC;
  - Withstanding Voltage: 500V AC For 1 Minute.
  - Durability (Life Test): 10000 cyces at 100±50 cycles per hour;
  - Insertion Force: 44.1N Max;
  - Withdrawal Force: 9.8N Min;
  - Operating Temperature: -20°~+85°.

**All Connectors**

www.allconnectors.eu | info@allconnectors.eu  
Tel. +49 (0)711 / 358 110 20 | Fax +49 (0)711 / 358 110 25

DRAWING No.

W02-DHRS10-A06-01

PART No.			UNIT	SCALE	PART NAME		
W02-DHRS-RS10-A06			mm	1:1	HDMI RECEPTACLE		
APPD.	CKD.	DWG.	DATE	TOLERANCE	A TYPE		
			2007/10/05	x. ±0.38 .x ±0.25 .xx ±0.13		REV	A1