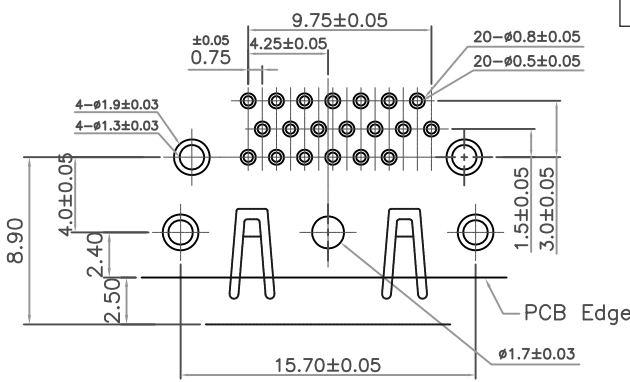
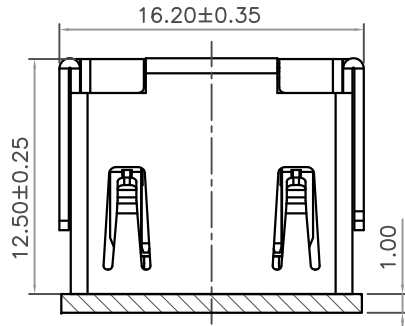
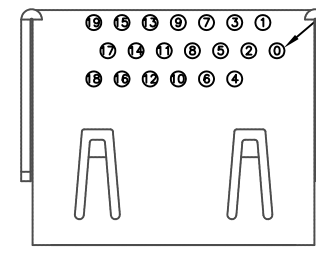


REV	ZONE	REVISION	DATE

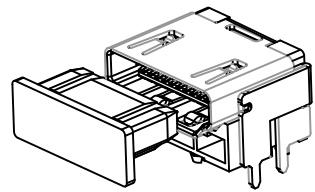
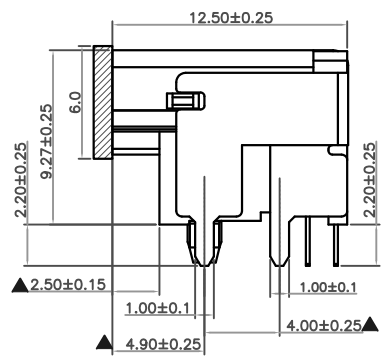
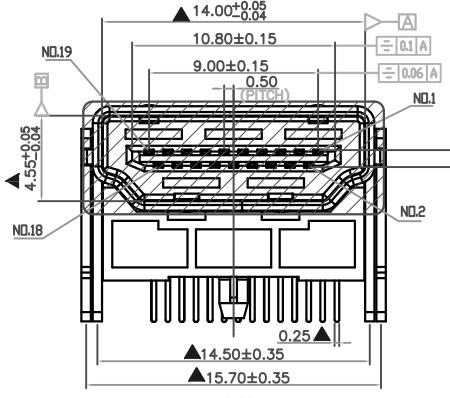


Dummy Terminal Should Be Connected With 50 OHM.



Pin Position

RECOMMENDED PCB LAYOUT



SPECIFICATION:

- Contact Resistance: 30m Ohm. Max.
- Insulation Resistance: 100M Ohm Min. At 500V DC.
- Contact Current Rating: 0.5A Min;
- Voltage Rating: 40V AC;
- Withstanding Voltage: 500V AC For 1 Minute.
- Durability (Life Test): 10000 cycles at 100±50 cycles per hour;
- Insertion Force: 44.1N Max;
- Withdrawal Force: 9.8N Min;
- Operating Temperature: -20°~+85°.

Material and Finish:

- Insulator Material: L.C.P.+30% Glass Filled,UL94V-0,Color:Black
- Contact Material: Phosphor Bronze T=0.20
- Shell Material: Spcc/Brass T=0.50
- Contact Area Plated: Gold 1~30u" Plated Over Nickel.
- Solder Area Plated: G.F/Tin Plated Over Nickel.
- Shell Plated: TIN/Ni Plated.
- Control Dimensions Indicated From "▲".
- Packing:Tray.
- RO=RoHS.

W02-HDRD00-A02 X X X X  
① ② ③ ④

- Shell Material: S - SPCC Material  
B - Brass Material
- Shell Plated: T - Tin Plated  
N - Ni Plated  
G - Gold Plated
- Solder Area Plated:  
T - Tin Plated  
G - Gold 1u" Plated
- Contact Area Plated:  
1 - Gold 1u" Plated  
2 - Gold 15u" Plated  
3 - Gold 25-30u" Plated



www.allconnectors.eu | info@allconnectors.eu  
Tel. +49 (0)711 / 358 110 20 | Fax +49 (0)711 / 358 110 25

PART No.			UNIT	SCALE	PART NAME	
W02-HDRD00-A02			mm	1:1	HDMI RECEPTACLE	
APPD.	CKD.	DWG.	DATE	TOLERANCE	A TYPE	
DRAWING No.	W02-HDRD00-A02-01		2007/8/30	x: ±0.38 .x ±0.25 .xx ±0.13		REV A1