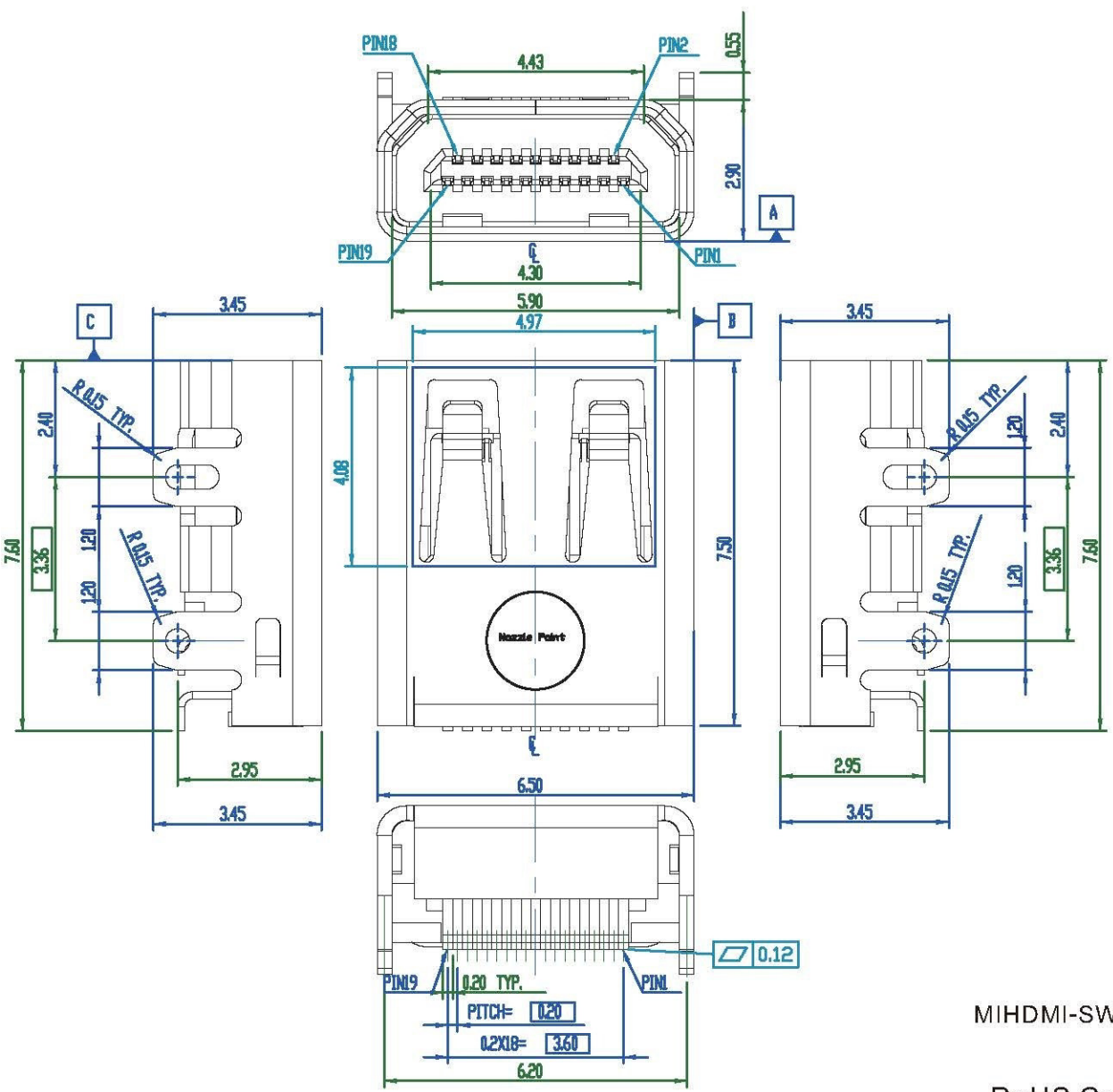
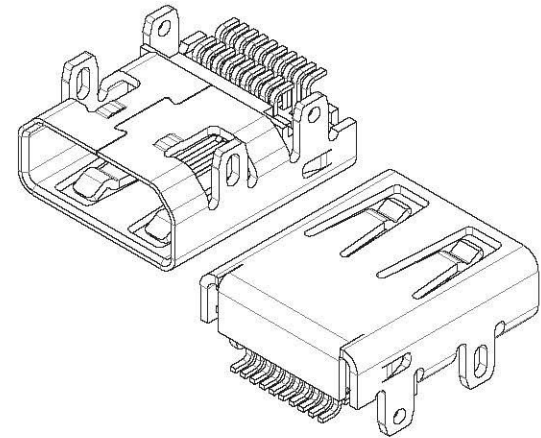


1 2 3 4 5 6 7 8 9 0

J
I
H
G
F
E
D
C
B
A



NOTES :
 1.Material :
 Housing : High temperature thermoplastic,UL94-V0.
 Color : Black
 HDMI Terminal : Copper Alloy,
 Cover : Copper Alloy,
 2.Finish :
 Terminal : Underplate : Ni 50 μ" MIN. over all.
 Solder tail μ"100 Sn MIN. Lead free over Ni plate.
 Contact area: Au over Ni plate
 Cover : Underplate 50 μ" MIN. Ni over all.
 Sn μ" 100 MIN over Ni.
 3.Coplanarity Must Be Within 0.12 Max.



MIHDMI-SWMM-19-LF
 LEADFREE
 RoHS Compliant

Allconnectors

www.allconnectors.de
 Tel.: 0049 711 7009500
 info@allconnectors.de
 Fax: 0049 711 7009504
 vU./vH | Hilderstr. - Germany
 Kettnerstr. 25

PART NO. MIHDMI-SWMM-19		CHECKED BY CY	TOLERANCES ARE	DESCRIPTION: HDMI TYPE D RECEPTACLE CONNECTOR			
DWG NO. MIHDMI-SWMM-19							
FILE NO.		PROJECTION	AREA	REVISIONS	HK	DATE	
UNIT / mm	SCALE 1:1						