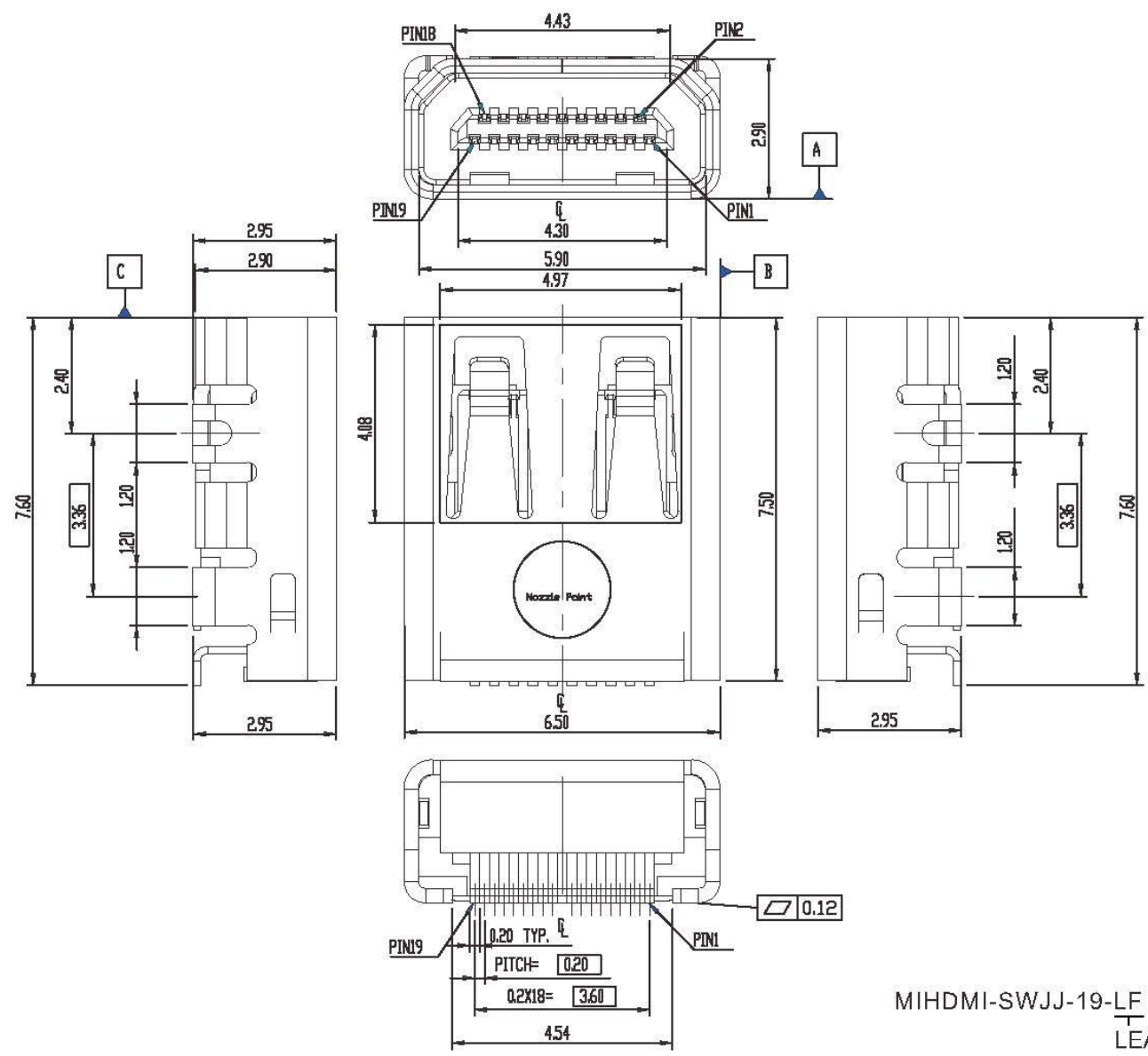
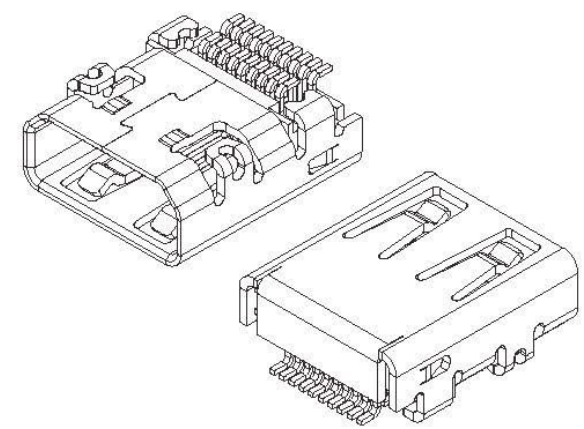


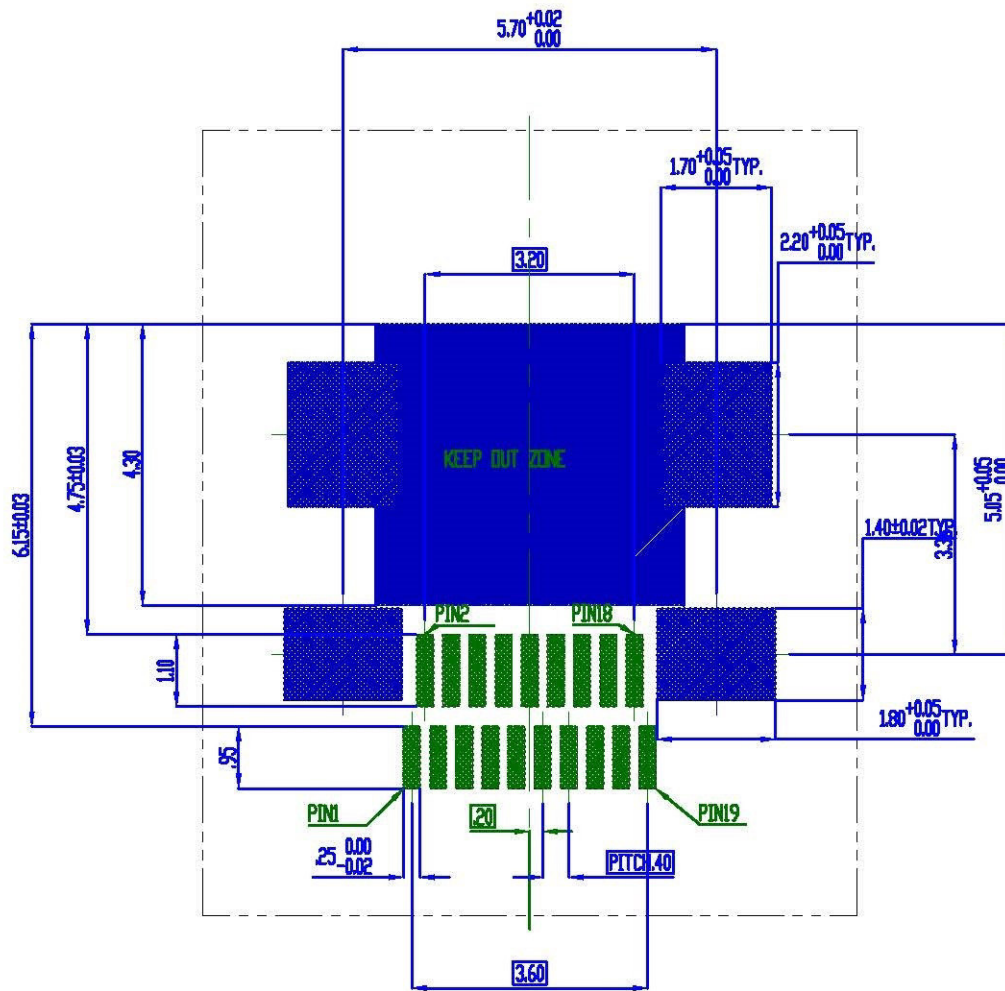
NOTES :
 1.Material :
 Housing : High temperature thermoplastic,UL94-V0.
 Color : Black
 HDMI Terminal : Copper Alloy.
 Cover : Copper Alloy.
 2.Finish :
 Terminal : Underplate : Ni 50 μ" MIN. over all.
 Sn&100 MIN Solder tall μ"Sn100 MIN Lead free over Ni plate.
 Contact area: Au over Ni plate
 Cover : Underplate :50 μ" MIN. Ni over all.
 over Ni.
 3.Coplanarity Must Be Within 0.12 Max.



MIHDMI-SWJJ-19-LF
 LEADFREE
 RoHS Compliant

Allconnectors
 www.allconnectors.de
 Tel.: 0049 711 7002503
 70794 Filderstadt - Germany
 info@allconnectors.de
 Fax: 0049 711 7003504
 Kettnerstr. 25

PART NO. MIHDMI-SWJJ-19	CHECKED BY CY	TOLERANCES ARE X ± .XX ± .XXX ± AWG	DESCRIPTION:			
			AREA	REVISIONS	HK	DATE
DWG NO. MIHDMI-SWJJ-19	DRAWING BY	PROJECTION				
FILE NO.						
UNIT / mm	SCALE 1:1					



Recommend PCB Layout Tolerance = +/- 0.02 mm

HDMI Each Signal Terminal
Will Be Functional After Detected.

19	5V Power
18	SDA
17	SCL
16	DDC/CEC Ground
15	CEC
14	TMDS Clock-
13	TMDS Clock Shield
12	TMDS Clock+
11	TMDS Data0-
10	TMDS Data0 Shield
09	TMDS Data0+
08	TMDS Data1-
07	TMDS Data1 Shield
06	TMDS Data1+
05	TMDS Data2-
04	TMDS Data2 Shield
03	TMDS Data2+
02	Utility
01	Hot Plug Detect
Pin NO.	Description
Pin Assignment	

All Connectors

www.allconnectors.de
Tel: +0049 711 7007500
All/94 Hilderstr. Germany

info@allconnectors.de
Fax: +0049 711 7009501
Kottbamerstr. 25

PART NO. MIHDMI-SWJJR-19

DWG NO. MIHDMI-SWJJR-19

FILE NO.

UNIT / mm

SCALE 1:1

CHECKED BY CY

DRAWING BY

PROJECTION



TOLERANCES ARE

.X ± 0.3

.XX ± 0.2

.XXX ± 0.1

ANG

DESCRIPTION:

AREA

REVISIONS

HK

DATE