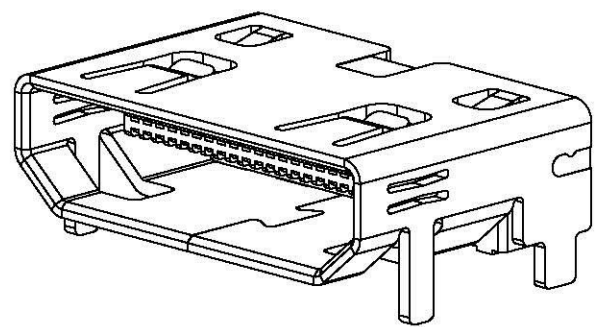
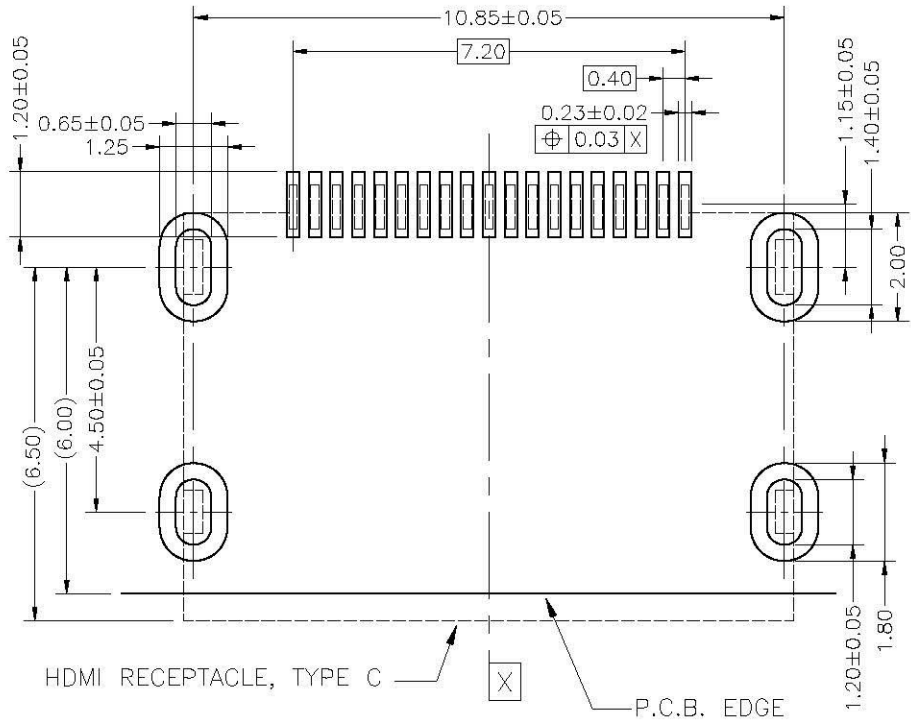


MHDMI-SW-19-LF
LEADFREE
RoHS Compliant

All Connectors
www.allconnectors.de
Info@allconnectors.de
Tel: 0049 711 7095608
Fax: 0049 711 7095601
Kettnerstr. 25
72794 Hilderstadt - Germany

PART NO. MHDMI-SW-19		CHECKED BY CY	TOLERANCES ARE X ± .XX ± .XXX ± AWG	DESCRIP TION: HDMI RECEPTACLE, PITCH 0.40 SMT TYPE			
DWG NO. MHDMI-SW-19				DRAWING BY		AREA	REVISIONS
FILE NO.		PROJECTION					
UNIT / mm	SCALE 1:1						



RECOMMENDED PCB LAYOUT

SPECIFICATIONS

- OPERATING CURRENT: 0.5A MAX.
- OPERATION TEMPERATURE: -25°C TO +85°C
- DIELECTRIC WITHSTANDING VOLTAGE:
 - 500Volts AC BETWEEN ADIACENT TERMINAL(UNMATE)
 - 300Volts AC BETWEEN ADIACENT TERMINAL(MATE)
- INSULATION RESISTANCE:
 - 100Mohm MIN.(UNMATED);10Mohm MIN.(MATED)

RoHS Compliant

All Connectors <small>www.allconnectors.de TEL: 0049 711 7007503 70714 Filzschmid - Germany</small>	PART NO. MHDMI-SW-19		CHECKED BY CY	TOLERANCES ARE .X ± .XX ± .XXX ± AWG	DESCRIP TION: HDMI RECEPTACLE, PITCH 0.40 SMT TYPE			
	DWG NO. MHDMI-SW-19				DRAWING BY	AREA	REVISIONS	HK
A	FILE NO.		PROJECTION					
	UNIT / mm	SCALE 1:1						