

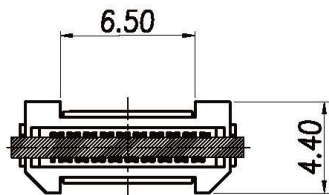
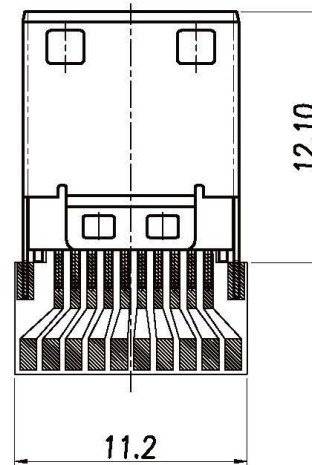
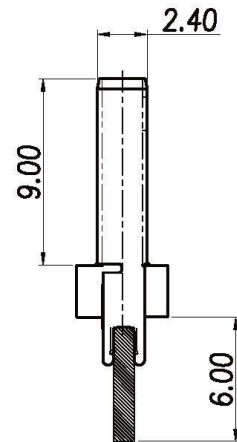
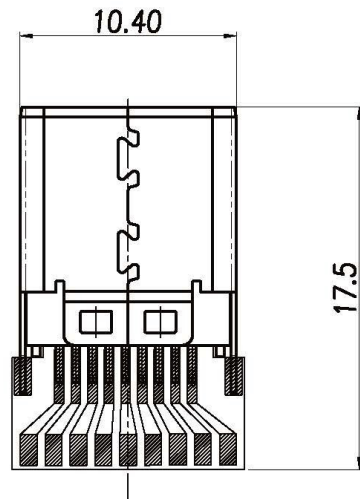
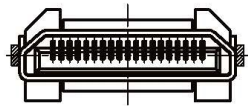
**NOTE:**

**1. MATERIAL :**

- 1-1. FRONT HOUSING : LCP UL94V-0 ; COLOR : black
- 1-2. BACK HOUSING : LCP UL94V-0 ; COLOR : black
- 1-2. CONTACT : BRONZE
- 1-3. SHELL : BRASS

**2. FINISH :**

- 2-1. CONTACT :
  - CONTACT AREA : GOLD 15u"
  - SOLDER AREA : TIN 100u"
  - UNDER PLATE : NICKEL
- 2-2. SHELL : TABLE A



**RoHS Compliant**

**All Connectors**

www.allconnectors.de  
Tel.: 0049 711 7009503  
70794 Filderstadt - Germany

info@allconnectors.de  
Fax: 0049 711 7009504  
Kettnerstr. 25

DRAWING BY CY

CHECKED BY GENIUS

UNIT/ mm SCALE 1 : 1

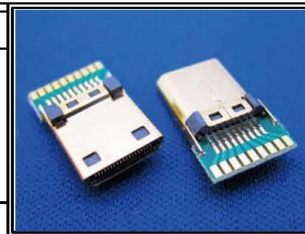
DATE

SIZE A4

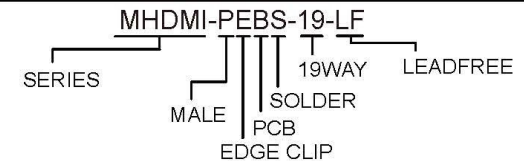
TOLERANCES ARE

X ±  
.X ±  
.XX ±  
.XXX ±  
ANG ±

PROJECTION



**ORDER INFORMATION**



DESCRIPTION: HDMI 19PIN(M) ~~MALE~~+PCB