

SPECIFICATIONS

SPECIFICATIONS

OPERATING CURRENT: 0,5A MAX.

OPERATION TEMPERATURE: -25°C TO +85°C

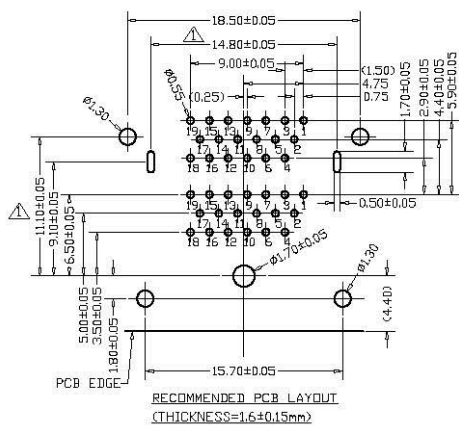
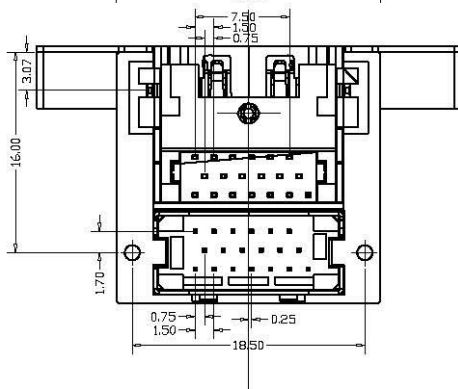
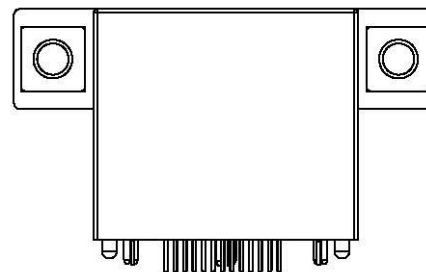
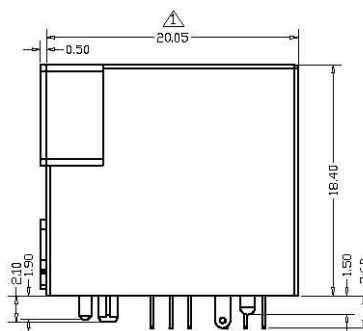
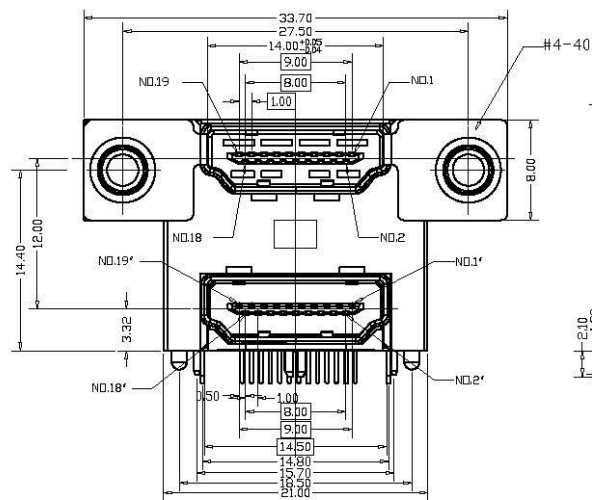
DIELECTRIC WITHSTANDING VOLTAGE:

500Volts AC BETWEEN ADJACENT TERMINAL(UNMATE)

300Volts AC BETWEEN ADJACENT TERMINAL(MATE)

INSULATION RESISTANCE:

100Mohm MIN.(UNMATED);10Mohm MIN.(MATED)



RoHS Compliant

Allconnectors

www.allconnectors.de
Tel.: 0049 711 7009503
70794 Filderstadt Germany

info@allconnectors.de
Fax: 0049 711 7009504
Kettnerstr. 23

DRAWING BY CY	
CHECKED BY GENIUS	
UNIT / mm	SCALE 1 : 1
DATE	
SIZE A4	PJECTION

TOLERANCES ARE

X ±
X ±
XX ±
XXX ±
ANG ±



ORDER INFORMATION

HDMIB1-FRE-19-LF

SERIES | LEADFREE
19 WAY
EAR
DIP 90°
FEMALE

DESCRIPTION: DUAL HDMI STACKED CONNECTOR THROUGH HOLE TYPE