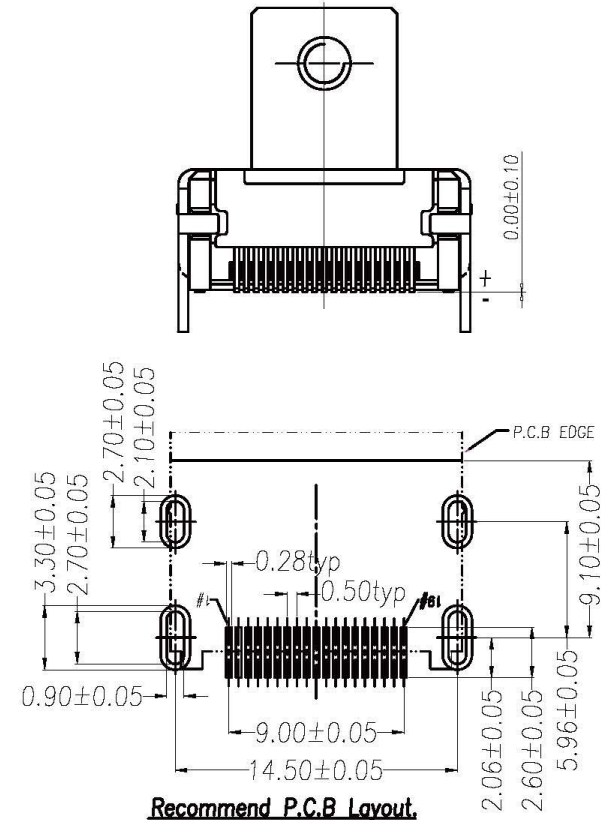


1. MATERIAL :
- 1-1. HOUSING : LCP UL94V-0 ; COLOR : BLACK
 - 1-2. CONTACT : PHOSPHOR BRONZE
 - 1-3. SHELL : BRASS
2. FINISH :
- 2-1. CONTACT : SEE TABLE A MIN. GOLD PLATED
SOLDER AREA : MATTE TIN.
UNDER PLATE : NICKEL
 - 2-2. SHELL : SEE TABLE A



Recommend P.C.B Layout.

RoHS Compliant

TOLERANCES ARE

All Connectors

DRAWING BY CY

CHECKED BY GENIUS

UNIT/mm

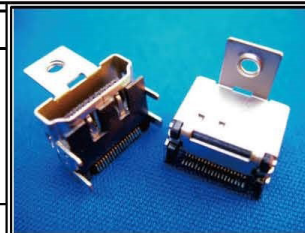
SCALE 1:1

DATE

SIZE A4

PJECTION

X ±
X ±
.XX ±
.XXX ±
ANG ±



ORDER INFORMATION

HDMI-SWMN-19-LF
 SERIES | LEADFREE
 NUT | 19WAY
 METAL FOOT
 90° SMT
 FEMALE

DESCRIPTION: HDMI 19PIN(F) 90°SMT 插脚式

www.allconnectors.de

info@allconnectors.de

Tel.: 0049 711 7009503

Fax: 0049 711 7009504

70794 Filderstadt - Germany

Kettnerstr. 25