

All Connectors

www.allconnectors.de
Tel.: 0049 711 7009503
70794 Filderstadt - Germany

info@allconnectors.de
Fax: 0049 711 7009504
Kettnerstr. 25

RoHS Compliant

DRAWING BY CY

CHECKED BY GENIUS

UNIT/ mm

SCALE 1:1

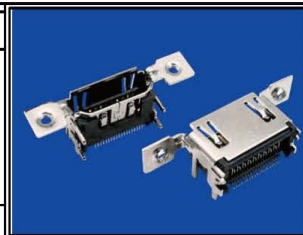
DATE

SIZE A4

TOLERANCES ARE

X ±
X ± 0.30
XX ± 0.25
XXX ± 0.20
ANG ± 2°

PROJECTION



ORDER INFORMATION

HDMI-SWMM20PE-19-LF
SERIES | LEADFREE
FEMALE | 19WAY
METAL FOOT/2.0mm
90° SMT

DESCRIPTION: HDMI RECEPTACLE SMT TYPE WITH WING LOW PROFILE

REMARKS:

1. MATERIAL:

1.1 HOUSING: HIGH TEMPERATURE THERMOPLASTIC

UL 94V-0 RATED

1.2 CONTACT: COPPER ALLOY

2. PLATING:

2.1 CONTACT:

GOLD PLATED OVER NICKEL ON CONTACT AREA

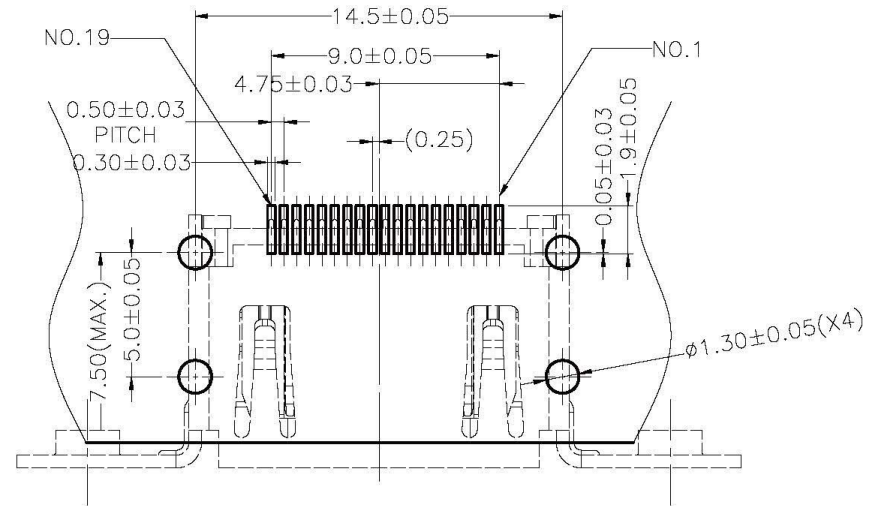
AND 100u" MIN. TIN PLATED OVER NICKEL

ON SOLDER TAILS

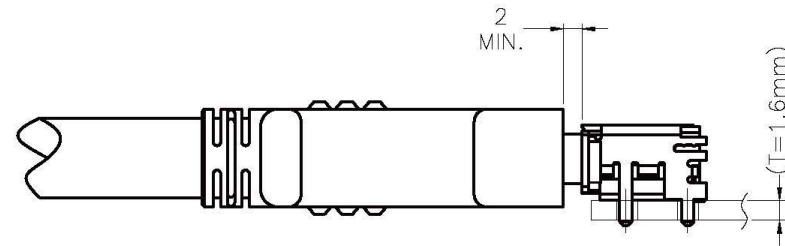
2.2 SHELL:

SOLDERABLE NICKEL PLATED

OR GOLD PLATED



RECOMMENDED PCB LAYOUT (THICKNESS=1.6±0.15mm)



REFERENCE MOUNT DIMENSION

		RoHS Compliant		TOLERANCES ARE			ORDER INFORMATION	
		DRAWING BY CY	CHECKED BY GENIUS	X ± .X ± 0.30 .XX ± 0.25 .XXX ± 0.20 ANG ± 2°	HDMI-SWMM20PE-19-LF		SERIES	LEADFREE
www.allconnectors.de Tel.: 0049 711 7009503 70794 Filderstadt - Germany	info@allconnectors.de Fax: 0049 711 7009504 Kettnerstr. 25	UNIT/mm	SCALE 1:1	DATE	SIZE A4	FEMALE	19WAY PANEL+EAR METAL FOOT/2.0mm 90° SMT	DESCRIPTION: HDMI RECEPTACLE SMT TYPE WITH WING LOW PROFILE
		PROJECTION						