

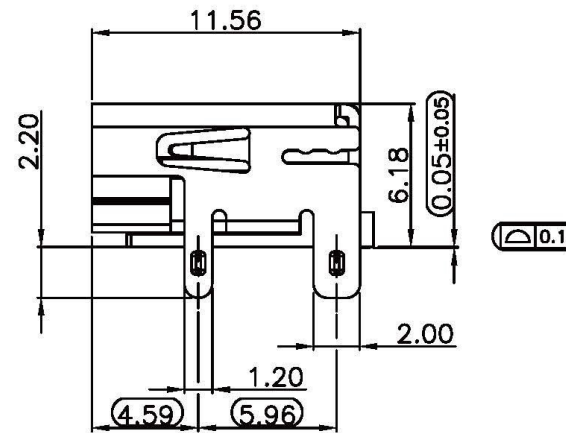
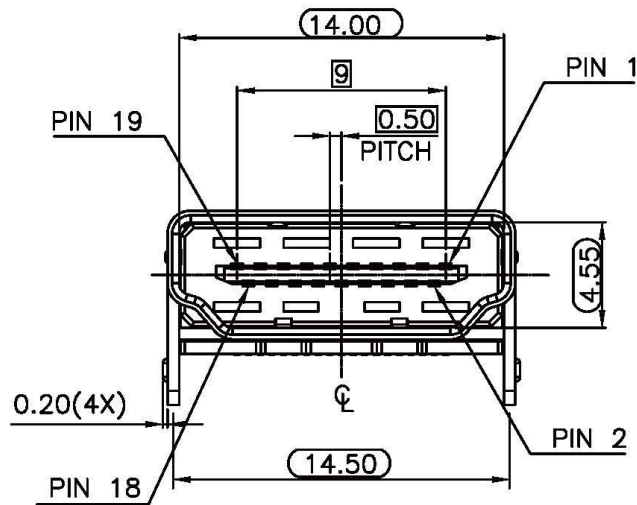
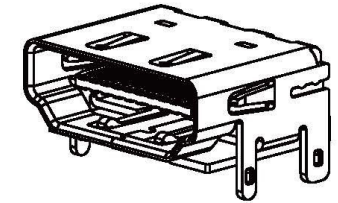
NOTES:

1.MATERIALS:

HOUSING:THERMAL PLASTIC UL94V-0
 CONTACTS:COPPER ALLOY
 SHELL:COPPER ALLOY

2.FINISH:

SHELL: 50µ" NICKEL PLATED
 TERMINALS: CONTACT AREA GOLD PLATED 15µ"~30µ"
 OVER NICKEL 50µ" UNDERPLATED
 SOLDER END TIN PLATED 100µ"
 Tin/Lead Free (Brighten Tin/Matte Tin)



RoHS Compliant

TOLERANCES ARE

All Connectors

DRAWING BY CY

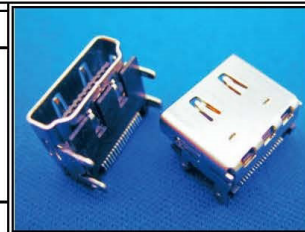
CHECKED BY GENIUS

UNIT/ mm SCALE 1 : 1

DATE

SIZE A4 PROJECTION

X ±
 .X ±
 .XX ±
 .XXX ±
 ANG ±



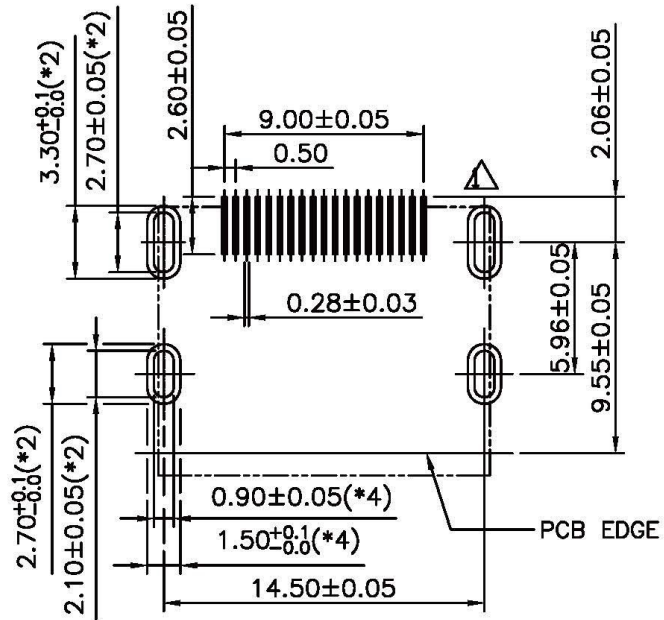
ORDER INFORMATION

HDMI-SWM-19-LF
 SERIES | LEADFREE
 19WAY
 METAL FOOT
 90° SMT
 FEMALE

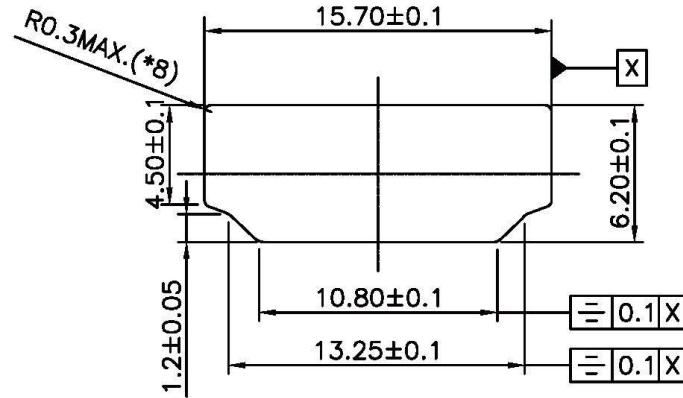
DESCRIPTION: HDMI FEMALE SMT THROUGH HOLE TYPE WITHOUT FLANGE (1/2)

www.allconnectors.de
 Tel.: 0049 711 7009503
 70794 Filderstadt - Germany

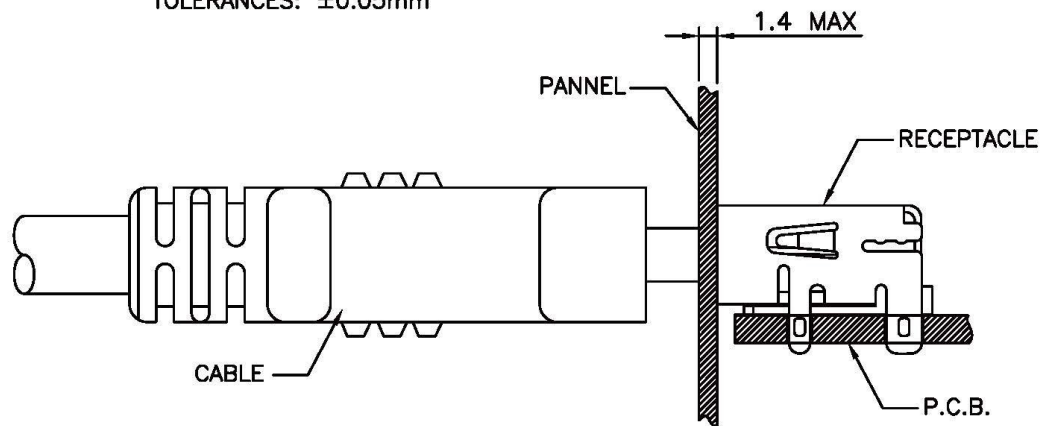
info@allconnectors.de
 Fax: 0049 711 7009504
 Kettnerstr. 25



RECOMMENDED PCB LAYOUT (THICKNESS=1.6±0.15mm)
TOLERANCES: ±0.05mm



REFERENCE PANEL CUT OUT DIMENSION



REFERENCE MOUNT DIMENSION

All Connectors

www.allconnectors.de
Tel.: 0049 711 7009503
70794 Filderstadt - Germany

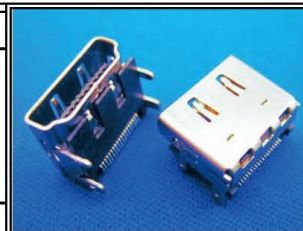
info@allconnectors.de
Fax: 0049 711 7009504
Kettnerstr. 25

RoHS Compliant

DRAWING BY CY	
CHECKED BY GENIUS	
UNIT/ mm	SCALE 1 : 1
DATE	
SIZE A4	PJECTION

TOLERANCES ARE

X ±
.X ±
.XX ±
.XXX ±
ANG ±



ORDER INFORMATION

HDMI-SWM-19-LF
SERIES | LEADFREE
19WAY
METAL FOOT
90° SMT
FEMALE

DESCRIPTION: HDMI FEMALE SMT THROUGH HOLE TYPE
WITHOUT FLANGE (1/2)