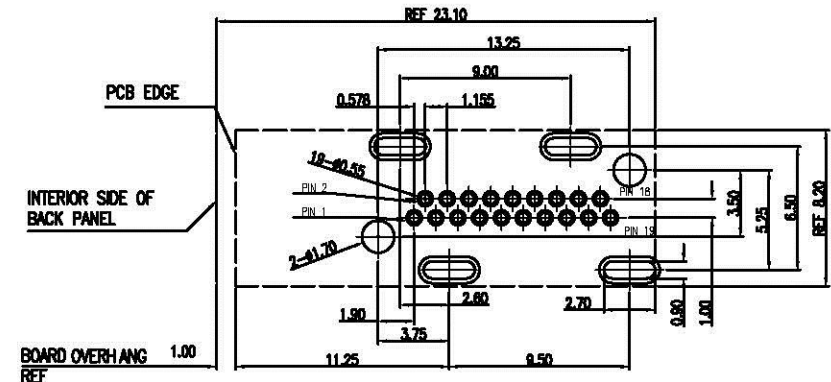
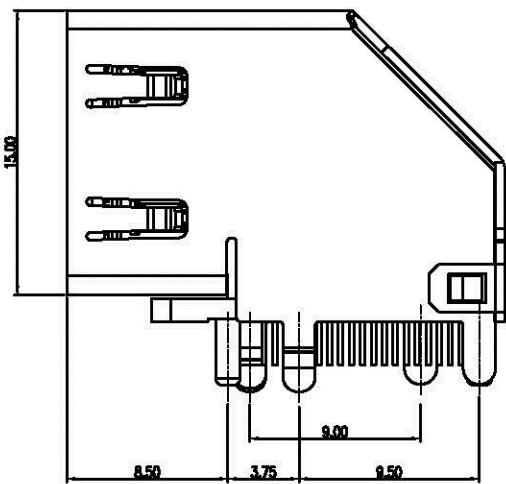
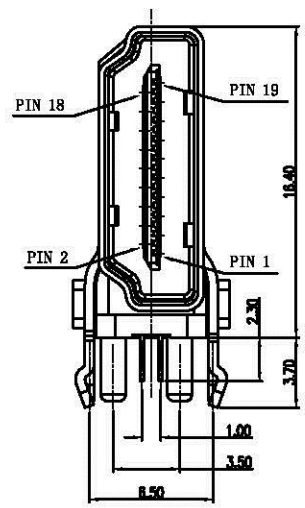


- NOTES:
- MATERIAL:
    - HOUSING: HIGH TEMPERATURE THERMOPLASTIC UL 94V-0 RATED
    - CONTACT: COPPER ALLOY
    - SHELL: COPPER ALLOY
  - PLATING:
    - CONTACT: GOLD PLATED OVER NICKEL ON CONTACT AREA AND 100µ" MIN. TIN PLATED OVER NICKEL ON SOLDER TAILS
    - SHELL: SOLDERABLE NICKEL PLATED OR TIN PLATED



RECOMMENDED PCB LAYOUT(TOP VIEW)  
 (THICKNESS=1.6±0.05mm)  
 (TOLERANCE=±0.05mm)

HDMI-SU-19-LF  
 LEADFREE  
 RoHS Compliant

**Allconnectors**

www.allconnectors.de  
 Tel.: 0049 711 7009503  
 70794 Filzderstadt Germany

info@allconnectors.de  
 Fax: 0049 711 7009504  
 Kettnerstr. 25

PART NO. HDMI-SU-19		CHECKED BY CY	TOLERANCES ARE .X ± 0.2 .XX ± .XXX ± AWG	DESCRIPTION: HDMI FEMALE VERTICAL SIDE FLANGE & 19PIN SOLDER TAIL	AREA	REVISIONS	HK	DATE
DWG NO. HDMI-SU-19								
FILE NO.		PROJECTION						
UNIT / mm	SCALE 1:1							