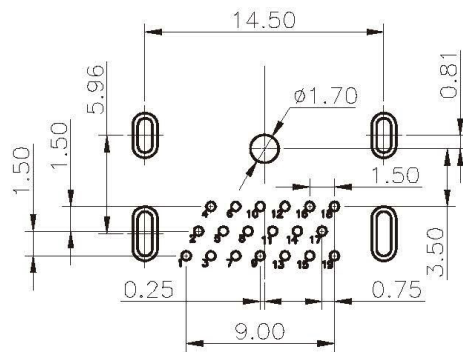
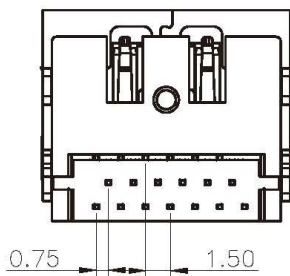
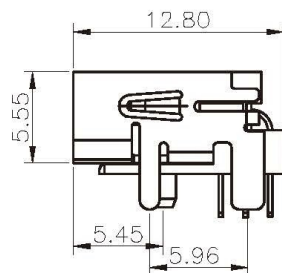
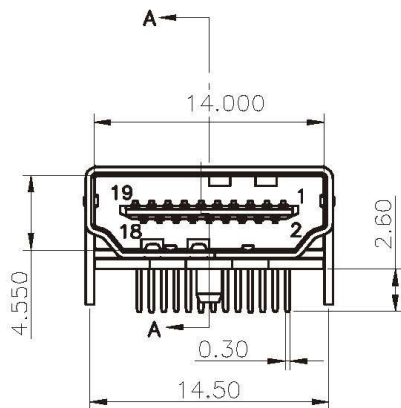
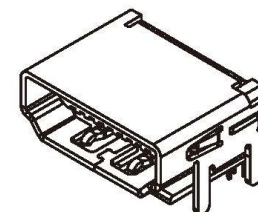


SEC: A-A

NOTES:  
 SPECIFICATION:  
 CONTACT CURRENT RATING: 0.5 AMPERES.  
 DIELECTRIC WITHSTANDING VOLTAGE: AC 300V R.M.S.  
 INSULATION RESISTANCE: 100MΩ MIN.  
 CONTACT RESISTANCE: 30 mΩ MAX.  
 ENVIRONMENTAL:  
 OPERATING TEMPERATURE: -20°C~+85°C.  
 MATERIAL:  
 INSULATOR: HI-TEMP PLASTIC UL 94V-0.  
 CONTACT: COPPER ALLOY T=0.20mm.  
 SHELL: COPPER ALLOY T=0.50mm.



RECOMMENDED P.C BOARD LAYOUT



UNLESS OTHERWISE SPECIFIED, TOLERANCE ON DECIMAL: ±0.2

RoHS Compliant

All Connectors

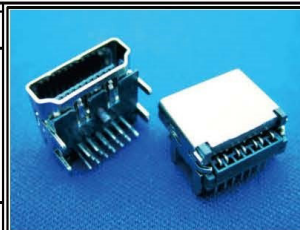
www.allconnectors.de  
 Tel.: 0049 711 7009503  
 70794 Filderstadt - Germany

info@allconnectors.de  
 Fax: 0049 711 7009504  
 Kettnerstr. 25

DRAWING BY CY  
 CHECKED BY GENIUS  
 UNIT / mm SCALE 1 : 1  
 DATE  
 SIZE A4 PROJECTION

TOLERANCES ARE

X ±  
 .X ±  
 .XX ±  
 .XXX ±  
 ANG ±



ORDER INFORMATION

HDMI-SR3-19-LF  
 SERIES | LEADFREE  
 19WAY  
 DIP 90°  
 FEMALE

DESCRIPTION: HDMI 19PIN FEMALE