

RECOMMENDED PCB LAYOUT

GENERAL TOLERANCE ± 0.05

T=1.6 ± 0.15

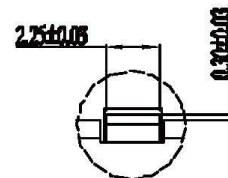
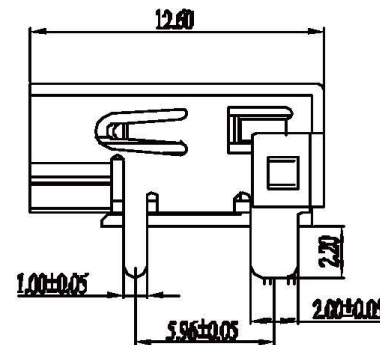
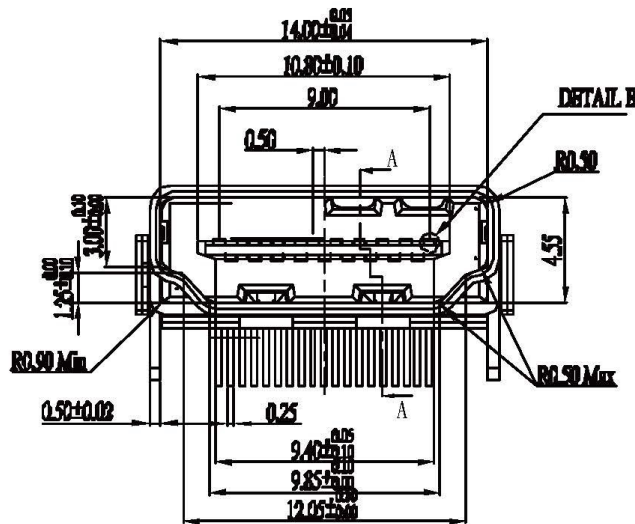
NOTES:

1: Material:

- 1.1 Housing: Thermoplastic UL94V-0 color: black.
- 1.2 Contact: Phosphor bronze T=0.25mm.
- 1.3 Shell: Copper alloy T=0.50mm.

2: Specification:

- 2.1 Current rating: 0.5 A Max.
- 2.2 Voltage rating: 40 V AC(rms) Max.
- 2.3 Contact resistance: 50 milliohms Max.
- 2.4 Dielectric withstanding voltage: 100 V(ac) for 1 min.
- 2.5 Insulation resistance: 1000 MW Min.
- 2.6 Operation temperature range: -25°C~85°C



DETAIL B  
SCALE 5:1

**All Connectors**

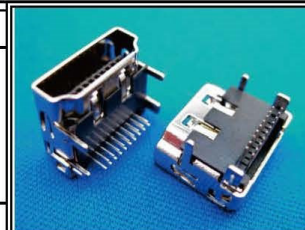
www.allconnectors.de info@allconnectors.de  
Tel.: 0049 711 7009503 Fax: 0049 711 7009504  
70794 Filderstadt - Germany Kettenerstr. 25

**RoHS Compliant**

DRAWING BY CY  
CHECKED BY GENIUS  
UNIT / mm SCALE 1:1  
DATE  
SIZE A4 PROJECTION

TOLERANCES ARE

X ±  
.X ±  
.XX ±  
.XXX ±  
ANG ±



ORDER INFORMATION

HDMI-SR2-19-LF  
SERIES | LEADFREE  
19WAY  
DIP 90°  
FEMALE

DESCRIPTION: