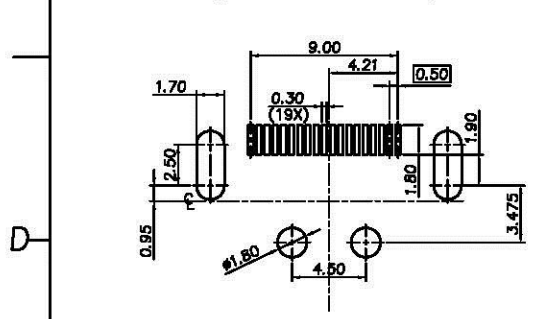
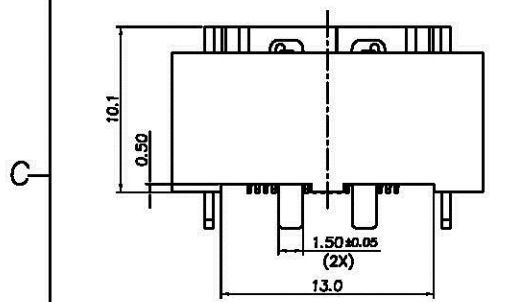
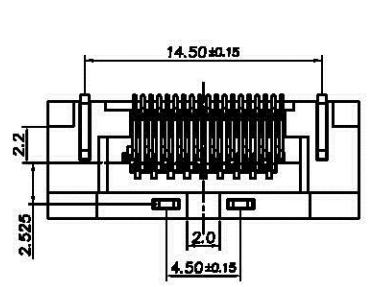
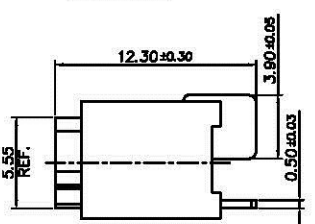
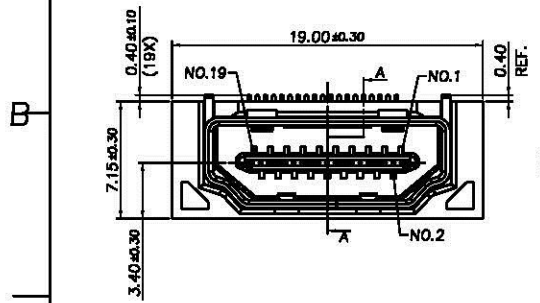
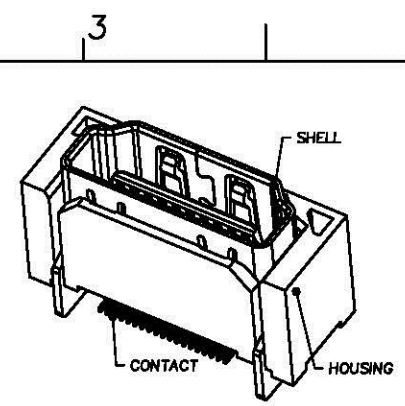
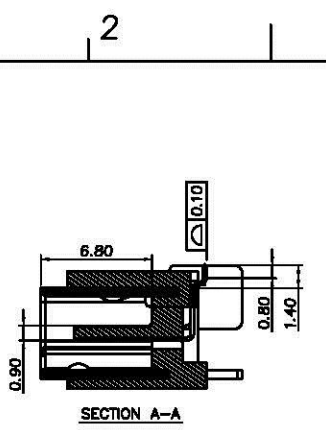
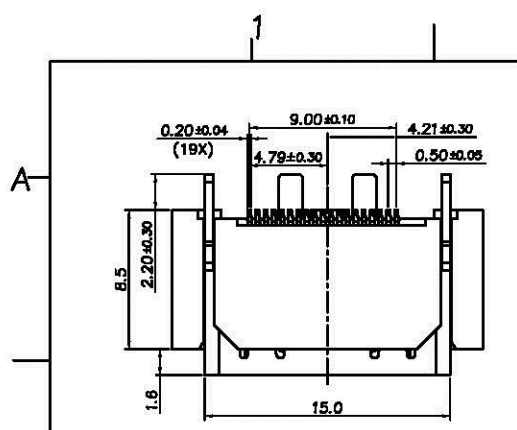
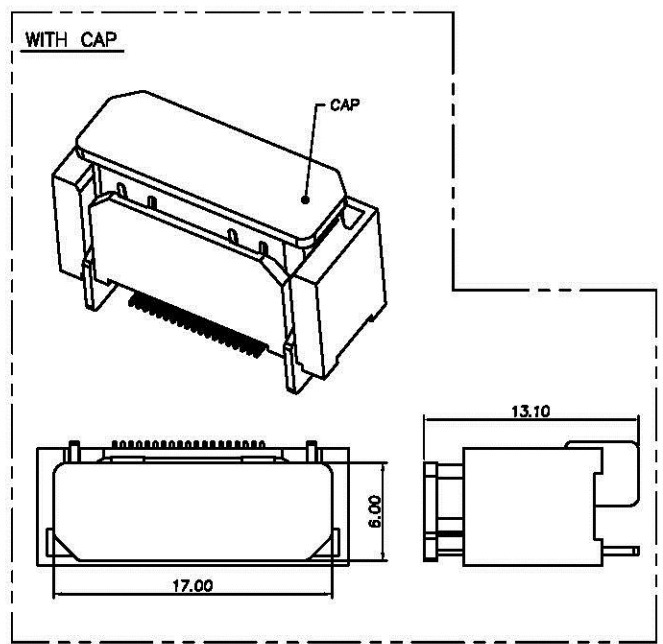


REV	ECN. NO.	APPD.
A		



RECOMMENDED P.C.B. LAYOUT
THICKNESS: 0.80mm(TOL.:±0.05)



- 1. MATERIALS:**
 1-1. HOUSING: LCP, UL94V-0, COLOR BLACK.
 1-2. CAP: LCP, UL94V-0, COLOR BLACK.
 1-3. CONTACT: PHOSPHOR BRONZE(C5191), GOLD(SEE P/N) PLATED ON CONTACT AREA, 80u" MATTE Tin PLATED ON SOLDER TAIL, 30u" MIN. NICKEL UNDERPLATED OVER ALL.
 1-4. SHELL: BRASS, T=0.5±0.03mm, 50u" MIN. SOLDERABILITY NICKEL PLATED OVER ALL.
- 2. SPECIFICATION:**
 2-1. CURRENT RATING: 1.0 AMP MAX.
 2-2. CONTACT RESISTANCE: 50mΩ MAX.
 2-3. INSULATION RESISTANCE: 100MΩ MIN. AT 100V DC.
 2-4. DIELECTRIC WITHSTANDING VOLTAGE: DC 100V/MINUTE.
 2-5. MATING FORCE: 4.0KG MAX.
 2-6. UNMATING FORCE: 0.5KG MIN.
 2-7. TEMPERATURE RANGE: -40°C ~ +105°C.

- 3. NOTES:**
 3-1. THIS COMPONENT AND ITS HOMOGENEOUS SUBCOMPONENTS ARE RoHS COMPLIANT.
 3-2. RESISTANCE TO SODERING HEAT: 230°C FOR 30~60S, AND 265±5°C FOR 10S.

4. PRODUCT NUMBER(P/N) DESCRIPTION:

HM09D- * - **

PACKING METHOD:
 R2: TAPE&REEL, WITH CAP
 C2: TRAY, WITH CAP

GOLD PLATED ON CONTACT AREA:
 1: GOLD FLASH
 2: 3u" MIN. GOLD
 5: 5u" MIN. GOLD
 6: 10u" MIN. GOLD
 7: 15u" MIN. GOLD
 3: 30u" MIN. GOLD

All connectors

www.allconnectors.de info@allconnectors.de
 Tel.: 0049 711 7009503 Fax: 0049 711 7009504
 70794 Filderstadt - Germany Kettenerstr. 25

X.±	.X± 0.3	.XX± 0.25	NAME<INTENDED USE>: HDMI CONN. 19POS. VERTICAL
X.*± 3"	.X*±	.XX*±	PART NO.<INTENDED USE>: HM09D SERIES
UNITS: mm	DATE: 2011-6-20		TITLE: CUSTOMER DRAWING
MAT'L			APPD: IVAN LIAO CHKD: GUOCHAO YAN DR: JESSIE PENG
			DWG NO.: 010-1000-HM09D
			SCALE SHEET REV N/A 1/1 A