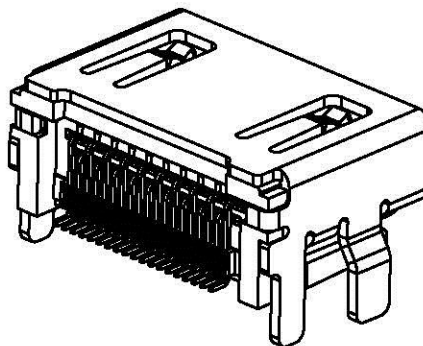
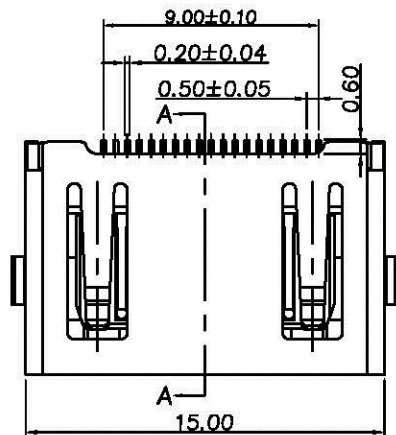


REV	ECN. NO.	APPD.
A	DC11*	IVAN LIAO



NOTES:

1. MATERIALS:

HOUSING: LCP, UL94V-0, COLOR BLACK.

CONTACT: PHOSPHOR BRONZE(C5191), GOLD(SEE P/N) PLATED ON CONTACT AREA, MATTE SN PLATED 100u" MIN. ON SOLDER TAIL, 50u" MIN. NICKEL UNDERPLATED OVER ALL.

SHELL: BRASS, 50u" MIN. SOLDERABILITY NICKEL PLATED OVER ALL.

2. SPECIFICATION

- a) MATING FORCE: 4.5Kgf Max.
- b) UNMATING FORCE: 1.0Kgf min.; 4.0Kgf Max.
- c) DURABILITY: 10000 CYCLES.
- d) CONTACT RETENTION FORCE: 300gf/Pin(Min.)
- e) CURRENT RATING: 0.5A
- f) VOLTAGE RATING: 40V
- g) DIELECTRIC WITHSTANDING VOLTAGE: 300V AC/MINUTE

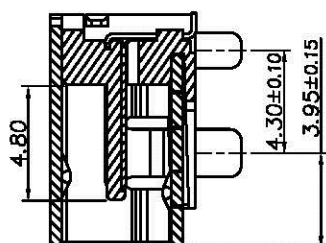
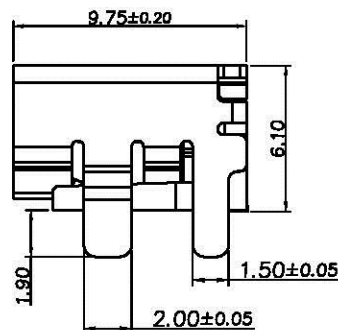
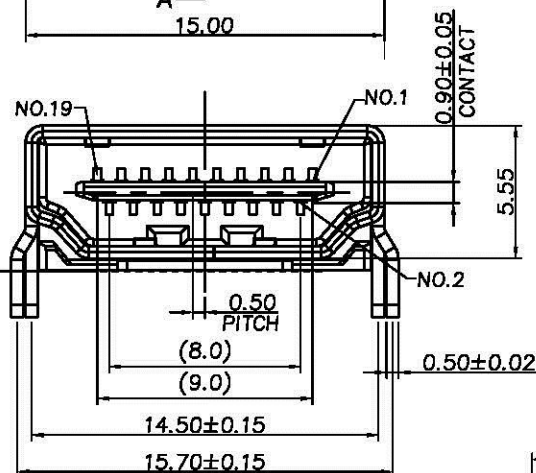
3. PART NUMBER DESCRIPTION:

HM05A- \* - R0

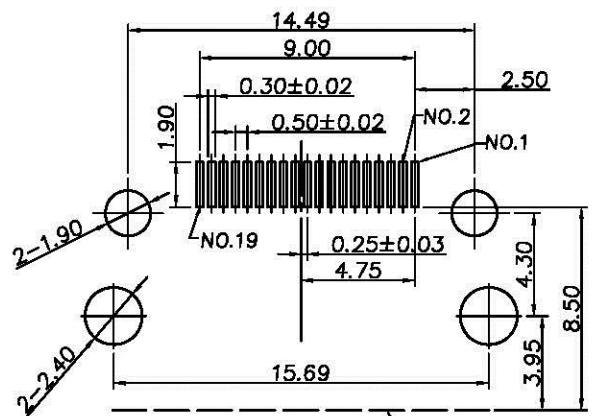
PACKING METHOD:  
R0: TAPE&REEL WITHOUT MYLAR

GOLD PLATED ON CONTACT AREA:

- 1: GOLD FLASH
- 5: 5u" MIN. GOLD
- 6: 10u" MIN. GOLD
- 7: 15u" MIN. GOLD



SECTION A-A  
SCALE 1:1



RECOMMENDED P.C.B. LAYOUT  
COMPONENT SIDE (TOL.: ±0.05)

FRONT OF SOCKET

**All Connectors**

www.allconnectors.de  
Tel.: 0049 711 7009503  
70794 Filderstadt - Germany

info@allconnectors.de  
Fax: 0049 711 7009504  
Kettnerstr. 25

X.±	.X± 0.25	.XX± 0.20	NAME<INTENDED USE>:	
X.'± 1'	.X'±	.XX'±	HDMI CONN. 19PIN, R/A SMT	
UNITS: mm	DATE: 2011-6-2	PART NO.<INTENDED USE>:	HM05A SERIES	TITLE: CUSTOMER DRAWING
MAT'L		APPD: IVAN LIAO		DWG NO.: 010-1000-HM05A
		CHKD: GUOCHAO YAN		SCALE SHEET REV N/A 1/1 A
		DR: JESSIE PENG		