

REV	ECN. NO.	APPD.
A	DC10013	IVAN LIAO

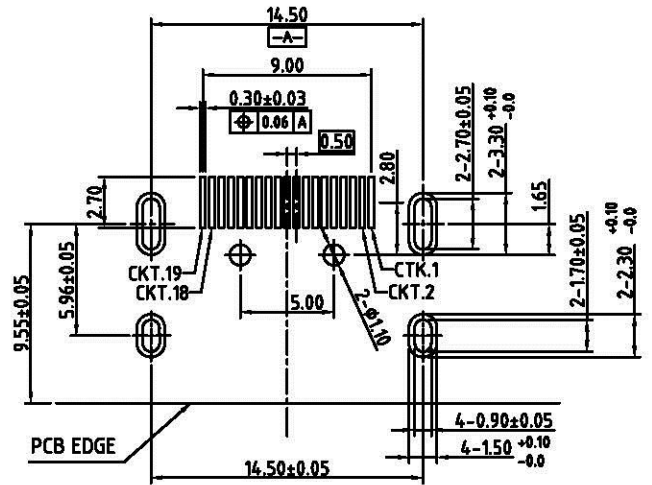
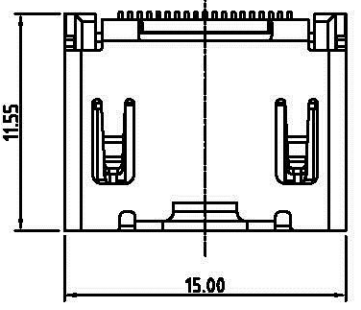
- NOTES:
1. MATING FORCE: 4.5Kgf Max.
  2. UNMATING FORCE: 1.0Kgf min.; 4.0Kgf Max.
  3. DURABILITY: 10000 CYCLES.
  4. CONTACT RETENTION FORCE: 300gf/Pin(Min.)
  5. CURRENT RATING: 0.5A
  6. VOLTAGE RATING: 40V
  7. DIELECTRIC WITHSTANDING VOLTAGE: 300V AC/MINUTE
  8. P/N: HM06B- \* -R0

PACKING METHOD:  
R0: RELL WITHOUT MYLAR

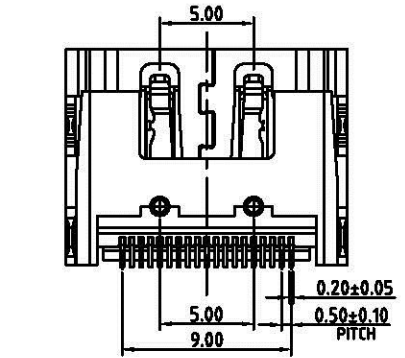
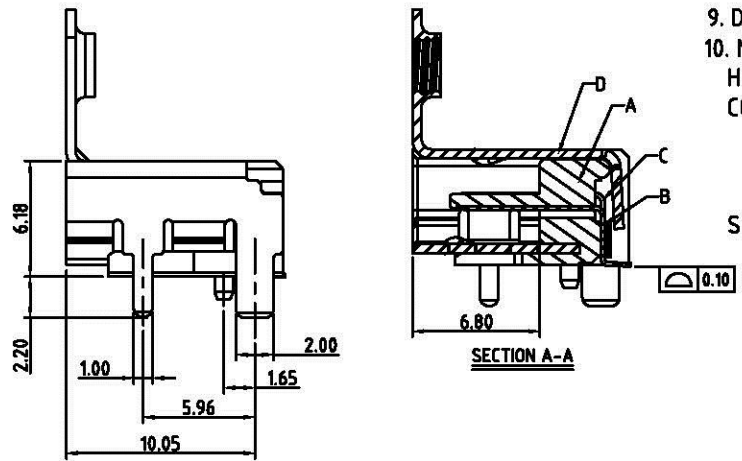
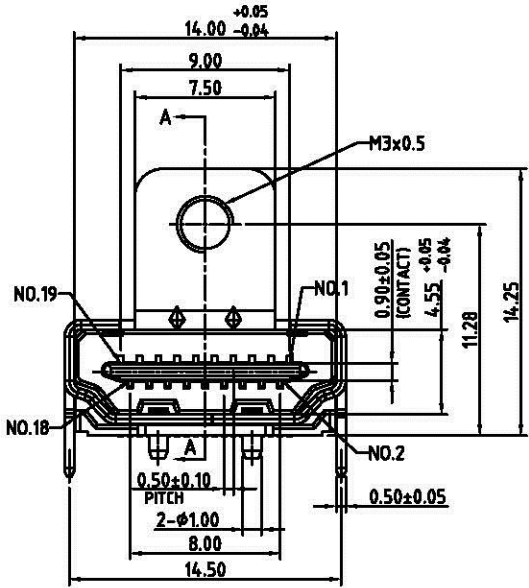
GOLD PLATED ON CONTACT AREA:

- 1: GOLD FLASH PLATED
- 3: 30u" MIN. GOLD PLATED
- 5: 5u" MIN. GOLD PLATED
- 6: 10u" MIN. GOLD PLATED
- 7: 15u" MIN. GOLD PLATED

9. DIMENSION SHALL BE INTERPRETED PER ANSI Y14.5M-1994.
10. MATERIALS:  
HOUSING: HEAT RESISTING PLASTICS, COLOR BLACK, UL94V-0  
CONTACT: COPPER ALLOY, GOLD PLATED(SEE P/N) ON CONTACT AREA,  
100u" MIN. BRIGHT-TIN ON SOLDER TAIL,  
50u" MIN. NICKEL UNDERPLATED OVER ALL.  
SHELL: COPPER ALLOY, 50u" NICKEL(CAN BE SOLDERED) PLATED OVER ALL.



RECOMMENDED PCB LAYOUT  
CONNECTOR SIDE (TOLERANCE±0.05)



**All Connectors**

www.allconnectors.de  
Tel.: 0049 711 7009503  
70794 Filderstadt - Germany

info@allconnectors.de  
Fax: 0049 711 7009504  
Kettenerstr. 25

X±	.X± 0.25	.XX± 0.20	NAME-<INTENDED USE> HDMI RECEPTACLE,R/A, SMT TYPE 0.5mm PITCH, 19 POS.	
X°±	.X°±	.XX°±	PART NO.-<INTENDED USE> HM06B SERIES	TITLE: CUSTOMER DRAWING
UNITS: mm	DATE:7/14/2010		APPD: IVAN LIAO	DWG NO. 010-0011-HM0B
MAT'L			CHKD: GUOCHAO YAN	SCALE/SHEET REV N/A 1/1 A
			DR: JESSIE PENG	

ITEM	DESCRIPTION	Q'TY
D	SHELL	1
C	CONTACT 2	10
B	CONTACT 1	9
A	HOUSING	1