

REV	ECN. NO.	APPD.

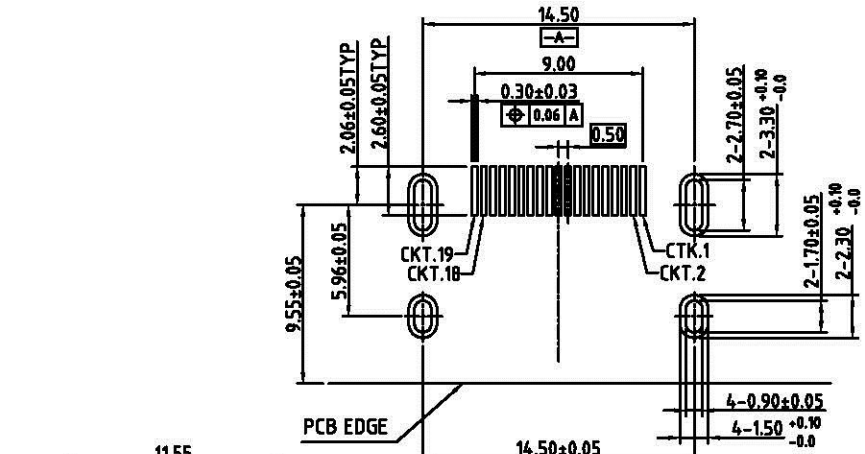
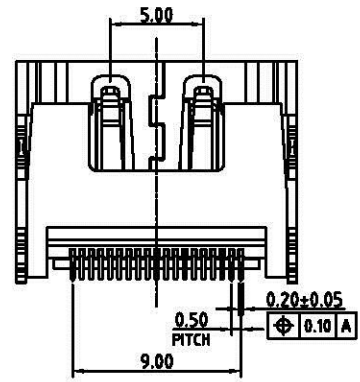
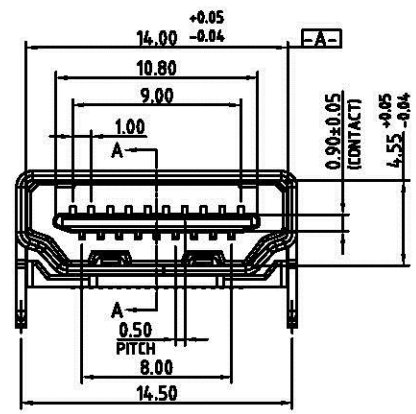
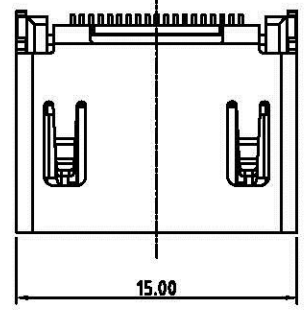
NOTES:

1. MATING FORCE: 4.5Kgf Max.
2. UNMATING FORCE: 1.0Kgf min.; 4.0Kgf Max.
3. DURABILITY: 10000 CYCLES.
4. CONTACT RETENTION FORCE: 300gf/Pin(Min.)
5. CURRENT RATING: 0.5A
6. VOLTAGE RATING: 40V
7. DIELECTRIC WITHSTANDING VOLTAGE: 300V AC/MINUTE
8. P/N: HM05B- * - R0

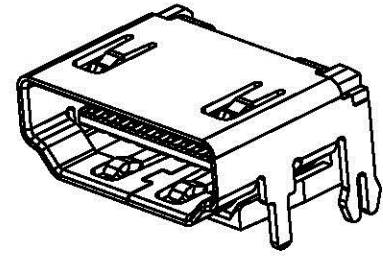
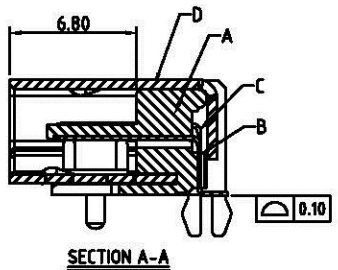
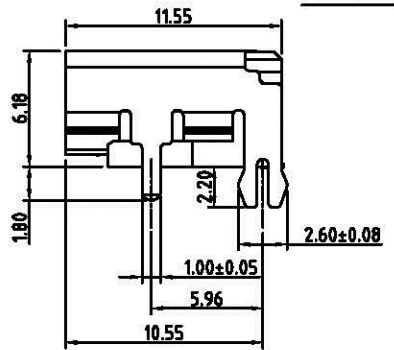
PACKING METHOD:
R0: RELI WITHOUT MYLAR

CONTACT PLATING:

- 1: GOLD FLASH PLATING ON CONTACT AREA
100u" MIN. MATTE TIN PLATING ON SOLDER AREA.
- 3: 30u" MIN. GOLD PLATING ON CONTACT AREA
100u" MIN. MATTE TIN PLATING ON SOLDER AREA.
- 5: 5u" MIN. GOLD PLATING ON CONTACT AREA
100u" MIN. MATTE TIN PLATING ON SOLDER AREA
- 7: 15u" MIN. GOLD PLATING ON CONTACT AREA
100u" MIN. MATTE TIN PLATING ON SOLDER AREA
9. DIMENSION SHALL BE INTERPRETED PER ANSI Y14.5M-1994.
10. MATERIALS:
HOUSING: HEAT RESISTING PLASTICS, COLOR BLACK, UL94V-0
CONTACT: COPPER ALLOY.
SHELL: COPPER ALLOY, 50u" NICKEL PLATING OVER ALL
NICKEL MUST BE SOLDERED.



**RECOMMENDED PCB LAYOUT
CONNECTOR SIDE**



All Connectors

www.allconnectors.de info@allconnectors.de
Tel.: 0049 711 7009503 Fax: 0049 711 7009504
70794 Filderstadt - Germany Kettnerstr. 25

D	SHELL	1
C	CONTACT 2	10
B	CONTACT 1	9
A	HOUSING	1
ITEM	DESCRIPTION	Q'TY

X±	.X± 0.25	.XX± 0.20	NAME-<INTENDED USE> HDMI RECEPTACLE,R/A, SMT TYPE 0.5mm PITCH, 19 POS.
X°±	.X°±	.XX°±	
UNITS:	mm	DATE: 11/18/2009	PART NO.-<INTENDED USE> HM05B SERIES
MAT'L			TITLE: CUSTOMER DRAWING
			APPD: L M R
			CHKD: GUOCHAO YAN
			DR: CHENKUN
			DWG NO. 010-0009-HM0B
			SCALE SHEET REV N/A 1/1 A