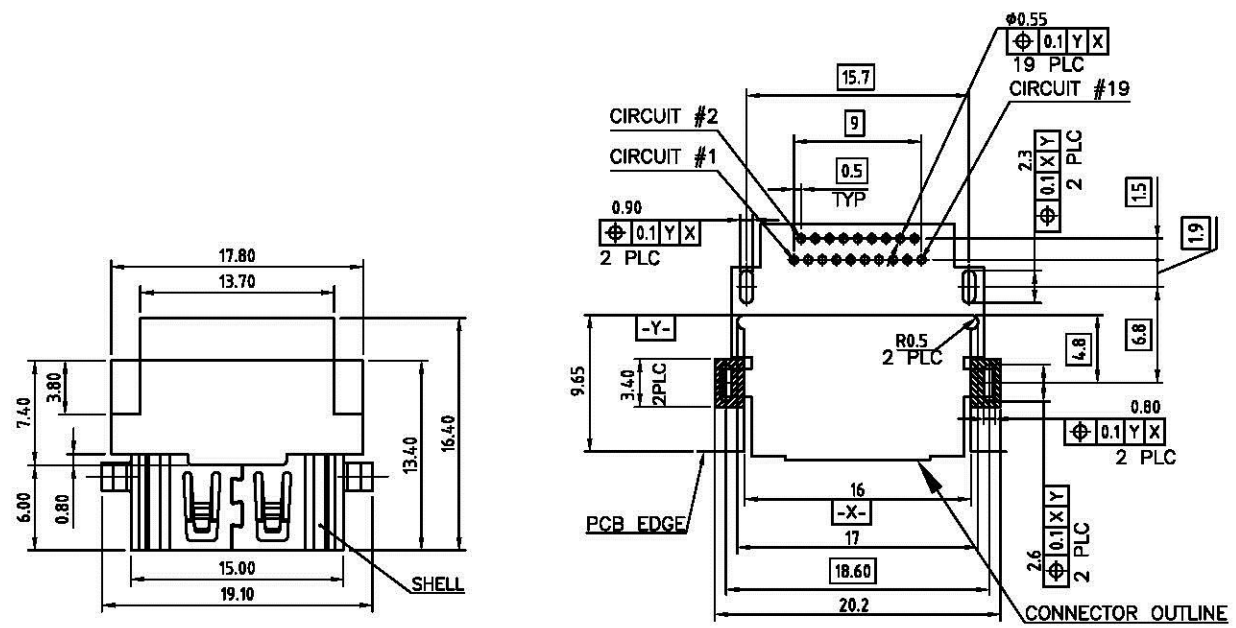
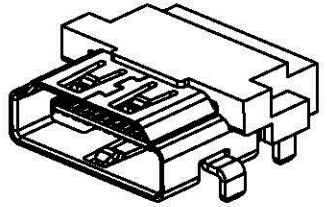
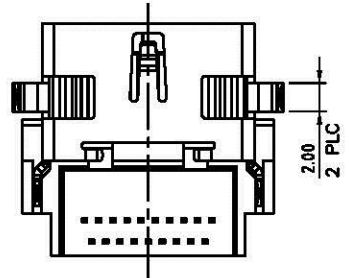
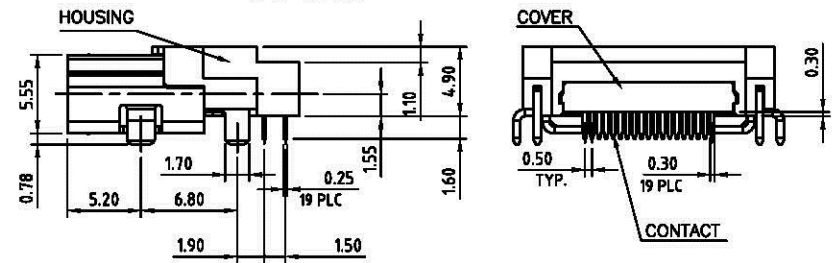
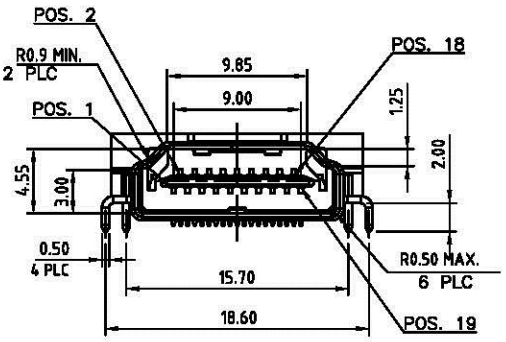


REV	ECN. NO.	APPD.
A	DC10004	IVAN LIAO
B	DC10007	IVAN LIAO



- NOTES:
- MATING FORCE: 4.5Kgf Max.
  - UNMATING FORCE: 1.0Kgf min.; 4.0Kgf Max.
  - DURIABILITY: 10000 CYCLES.
  - CONTACT RETENTION FORCE: 300gf/Pin(Min.)
  - CURRENT RATING: 0.5A
  - VOLTAGE RATING: 40V
  - DIELECTRIC WITHSTANDING VOLTAGE: 300V AC/MINUTE
  - MATERIALS:  
 HOUSING: HEAT RESISTING PLASTICS,UL94V-0, COLOR BLACK.  
 COVER: HEAT RESISTING PLASTICS,UL94V-0, COLOR BLACK.  
 CONTACT: BRASS, GOLD(SEE P/N) PLATED ON CONTACT AREA,  
 100u" MIN. MATTE-TIN ON SOLDER TAIL,  
 50u" MIN. NICKEL UNDERPLATED OVER ALL.  
 SHELL: BRASS, 50u" MIN. NICKEL(CAN BE SOLDERED) PLATED OVER ALL.
  - P/N: HMO4E- \* - RO - \*\*  
 O: NO LOGO  
 T: WITH TCONN LOGO  
 HSG&COVER MATERIAL  
 P: PA6T  
 L: LCP  
 PACKING METHOD:  
 RO: REEL WITHOUT MYLAR  
 GOLD PLATED ON CONTACT AREA:  
 1: GOLD FLASH PLATED.  
 6: 10u" MIN. GOLD PLATED.  
 7: 15u" MIN. GOLD PLATED

TOLERANCE: ±0.05, THICKNESS: 1.2mm  
**RECOMMENDED PCB LAYOUT**  
 (TOP VIEW)



**All Connectors**

www.allconnectors.de  
 Tel.: 0049 711 7009503  
 70794 Filderstadt - Germany  
 info@allconnectors.de  
 Fax: 0049 711 7009504  
 Kettnerstr. 25

X.±	.X± 0.30	.XX± 0.20	NAME<INTENDED USE>: 0.5mm PITCH HDMI CONN. 19POS. 1.55 CL, RECEPTACLE, R/A, DIP
X.*± 3"	.X*±	.XX*±	
UNITS: mm	DATE: 2010-03-10	PART NO.<INTENDED USE>: HMO4E SERIES	TITLE: CUSTOMER DRAWING
MAT'L		APPD: IVAN LIAO	DWG NO.: 010-0007-HM0E
		CHKD: GUOCHAO YAN	SCALE SHEET REV N/A 1/1 B
		DR: JESSIE PENG	