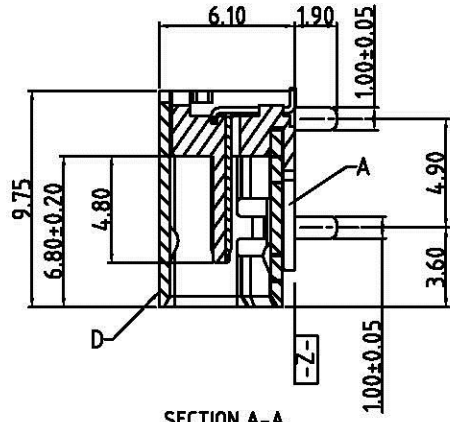
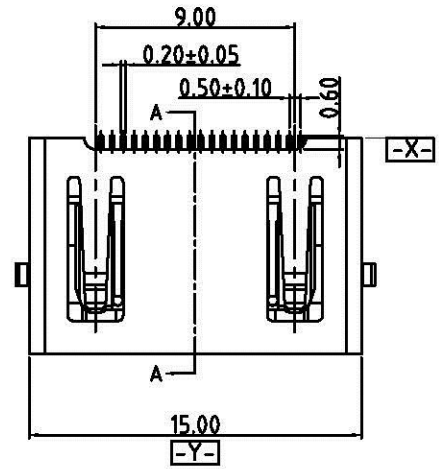


REV	ECN. NO.	APPD.
A	DC09008	LMR 6/17/2009



SECTION A-A
SCALE 1:1

- NOTES:
1. MATING FORCE: 4.5Kgf Max.
 2. UNMATING FORCE: 1.0Kgf min.; 4.0Kgf Max.
 3. DURABILITY: 10000 CYCLES.
 4. CONTACT RETENTION FORCE: 300gf/Pin(Min.)
 5. CURRENT RATING: 0.5A
 6. VOLTAGE RATING: 40V
 7. DIELECTRIC WITHSTANDING VOLTAGE: 300V AC/MINUTE
 8. P/N: HM04A- * - **

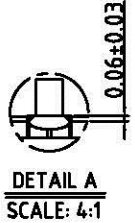
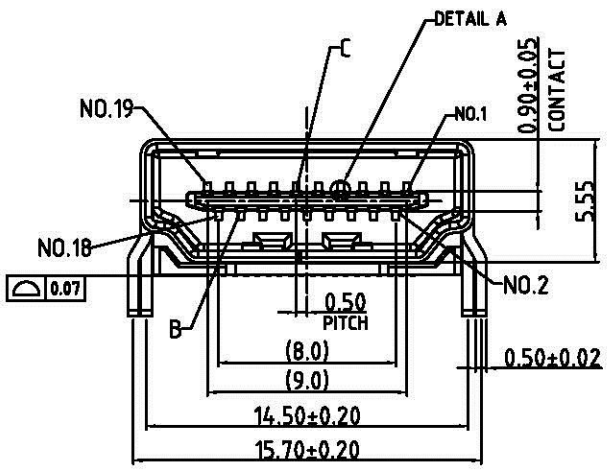
PACKING METHOD:
R0: RELL WITHOUT MYLAR
R1: RELL WITH MYLAR

CONTACT PLATING:

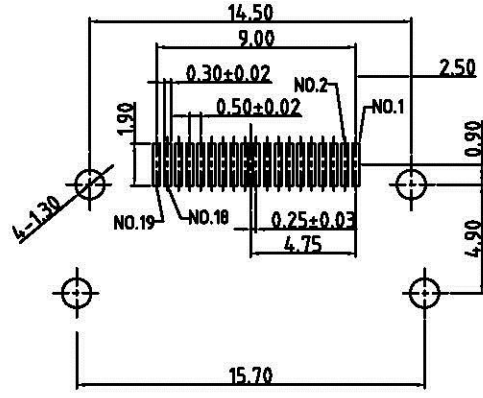
- 1: GOLD FLASH PLATING ON CONTACT AREA
100u" MIN. MATTE TIN PLATING ON SOLDER AREA.
- 7: 15u" MIN. GOLD PLATING ON CONTACT AREA
100u" MIN. MATTE TIN PLATING ON SOLDER AREA
- F: GOLD FLASH PLATING ON CONTACT AREA AND
SOLDER AREA
- B: 15u" MIN. GOLD PLATING ON CONTACT AREA
GOLD FLASH PLATING ON SOLDER AREA

9. DIMENSION SHALL BE INTERPRETED PER ANSI Y14.5M-1994.

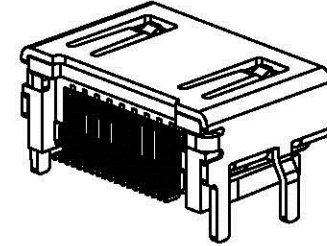
10. MATERIALS:
HOUSING: HEAT RESISTING PLASTICS, COLOR BLACK, UL94V-0
CONTACT: COPPER ALLOY
SHELL: COPPER ALLOY, 100u" NICKEL PLATING OVER ALL
NICKEL MUST BE SOLDERED.



DETAIL A
SCALE: 4:1



RECOMMENDED P. C. B LAYOUT
PCB TOLERANCE ±0.05



D	SHELL	1
C	CONTACT 2	10
B	CONTACT 1	9
A	HOUSING	1
ITEM	DESCRIPTION	Q'TY

X±0.30	.X±0.25	.XX±0.20	NAME-INTENDED USE-> HDMI RECEPTACLE,R/A, SMT TYPE 0.5mm PITCH, 19 POS.	
X°±	.X°±	.XX°±		
UNITS: mm		DATE: 5/13/2009	PART NO.-INTENDED USE-> HM04A SERIES	TITLE: CUSTOMER DRAWING
MAT'L			APPD: L M R	DWG NO. 010-0007-HM0A
			CHKD: GUOCHAO YAN	SCALE SHEET REV N/A 1/1 A
			DR: CHENKUN	

All connectors

www.allconnectors.de
Tel.: 0049 711 7009503
70794 Filderstadt - Germany

info@allconnectors.de
Fax: 0049 711 7009504
Kettnerstr. 25