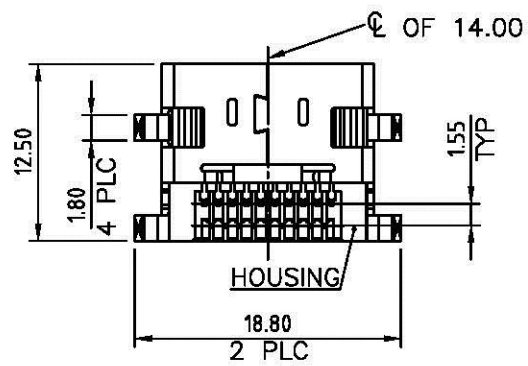
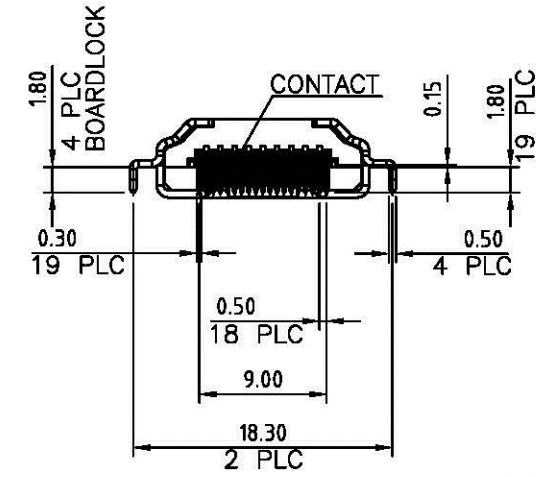
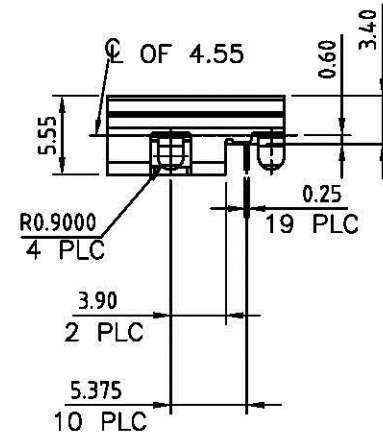
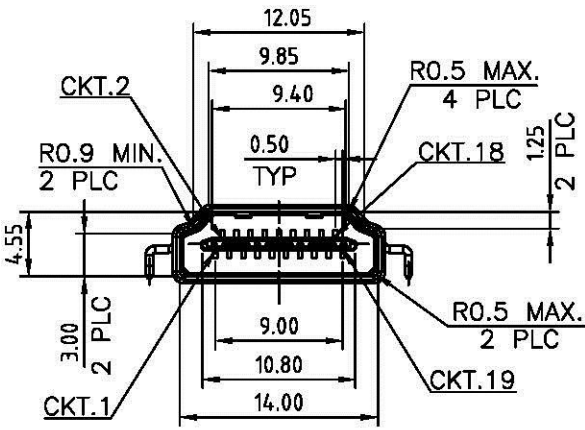
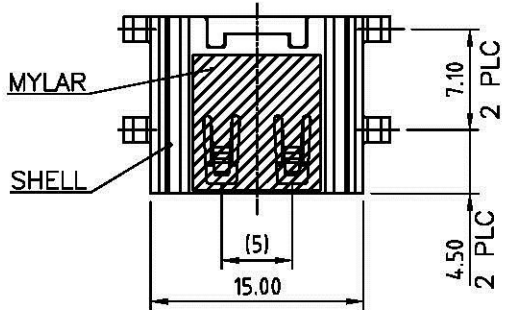
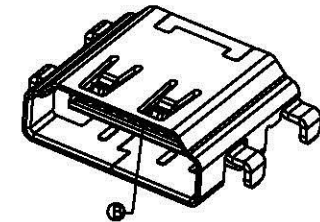


REV	ECN. NO.	APPD.
A	DC10001	IVAN LIAO 2010.2.22
B	DC10010	IVAN LIAO 2010.8.28

PIN	Signal Assignment
1	TMDS Data2+
2	TMDS Data2-
3	TMDS Data1 SHIELD
4	TMDS Data1+
5	TMDS Data1-
6	TMDS Data0+
7	TMDS Data0-
8	TMDS Clock+
9	TMDS Clock-
10	CEC
11	Reserved (N.C. on device)
12	SDA
13	DDC/CEC Ground
14	Hot Plug Detect

PIN	Signal Assignment
1	TMDS Data2+
2	TMDS Data2 Shield
3	TMDS Data2-
4	TMDS Data1+
5	TMDS Data1 SHIELD
6	TMDS Data1-
7	TMDS Data0+
8	TMDS Data0 Shield
9	TMDS Data0-
10	TMDS Clock+
11	TMDS Clock-
12	CEC
13	Reserved (N.C. on device)
14	SDA
15	DDC/CEC Ground
16	Hot Plug Detect
17	+5V Power

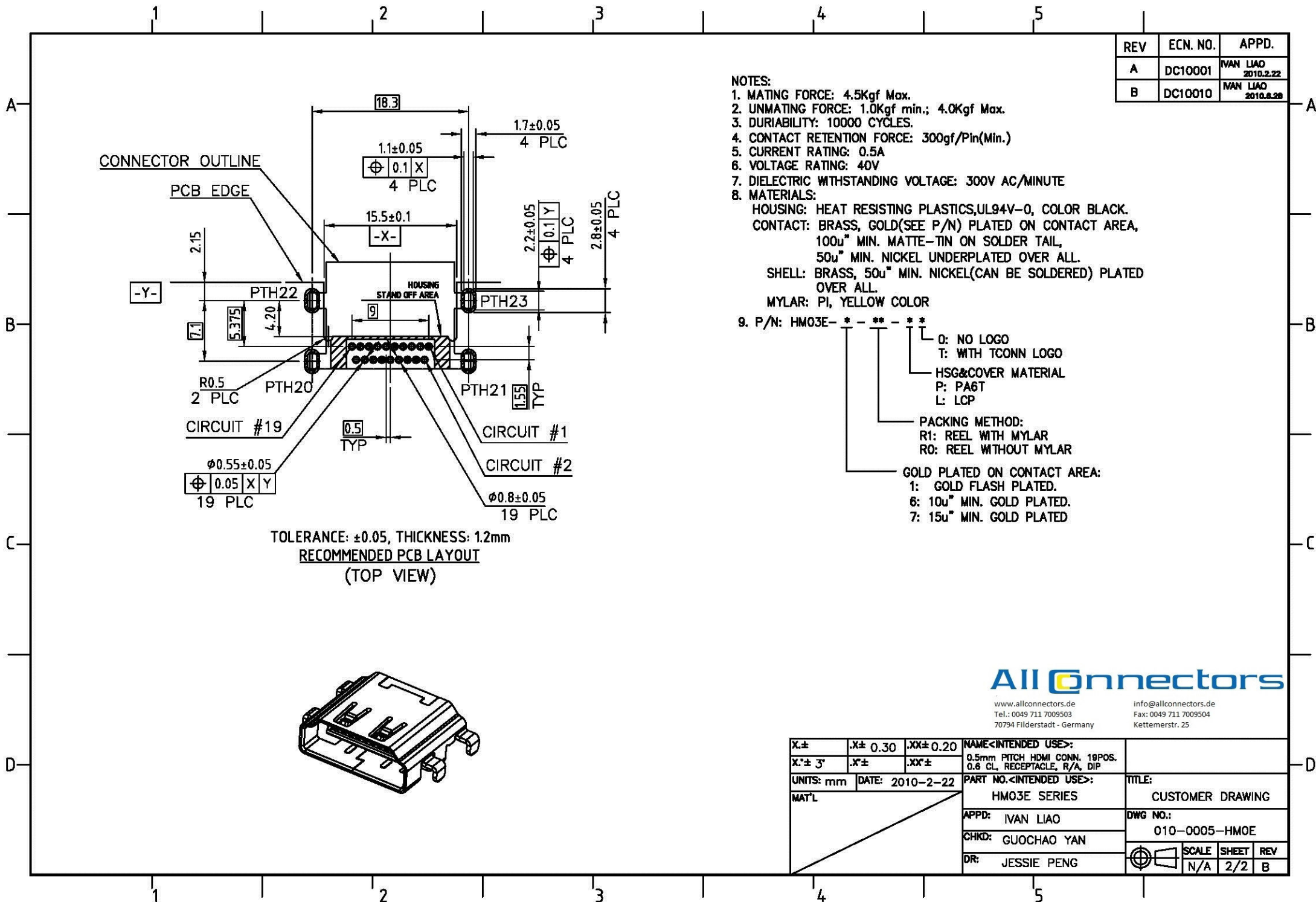


All Connectors

www.allconnectors.de
Tel.: 0049 711 7009503
70794 Filderstadt - Germany

info@allconnectors.de
Fax: 0049 711 7009504
Kettenerstr. 25

X.±	.X± 0.30	.XX± 0.20	NAME<INTENDED USE>: 0.5mm PITCH HDMI CONN. 19POS. 0.6 CL. RECEPTACLE, R/A, DIP
X.*± 3'	.X*±	.XX*±	PART NO.<INTENDED USE>: HMO3E SERIES
UNITS: mm	DATE: 2010-2-22		TITLE: CUSTOMER DRAWING
MATL			APPD: IVAN LIAO CHKD: GUOCHAO YAN DR: JESSIE PENG
			DWG NO.: 010-0005-HMOE
			SCALE SHEET REV N/A 1/2 B



REV	ECN. NO.	APPD.
A	DC10001	IVAN LIAO 2010.2.22
B	DC10010	IVAN LIAO 2010.8.28

NOTES:

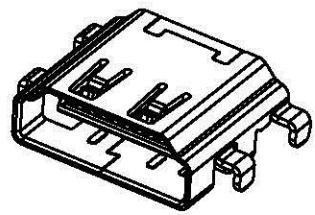
- MATING FORCE: 4.5Kgf Max.
- UNMATING FORCE: 1.0Kgf min.; 4.0Kgf Max.
- DURIABILITY: 10000 CYCLES.
- CONTACT RETENTION FORCE: 300gf/Pin(Min.)
- CURRENT RATING: 0.5A
- VOLTAGE RATING: 40V
- DIELECTRIC WITHSTANDING VOLTAGE: 300V AC/MINUTE
- MATERIALS:
HOUSING: HEAT RESISTING PLASTICS,UL94V-0, COLOR BLACK.
CONTACT: BRASS, GOLD(SEE P/N) PLATED ON CONTACT AREA, 100u" MIN. MATTE-TIN ON SOLDER TAIL, 50u" MIN. NICKEL UNDERPLATED OVER ALL.
SHELL: BRASS, 50u" MIN. NICKEL(CAN BE SOLDERED) PLATED OVER ALL.
MYLAR: PI, YELLOW COLOR
- P/N: HM03E- * - ** - * *

O: NO LOGO
 T: WITH TCONN LOGO
 HSG&COVER MATERIAL
 P: PA6T
 L: LCP

PACKING METHOD:
 R1: REEL WITH MYLAR
 R0: REEL WITHOUT MYLAR

GOLD PLATED ON CONTACT AREA:
 1: GOLD FLASH PLATED.
 6: 10u" MIN. GOLD PLATED.
 7: 15u" MIN. GOLD PLATED

TOLERANCE: ±0.05, THICKNESS: 1.2mm
 RECOMMENDED PCB LAYOUT
 (TOP VIEW)



Allconnectors

www.allconnectors.de info@allconnectors.de
 Tel.: 0049 711 7009503 Fax: 0049 711 7009504
 70794 Filderstadt - Germany Kettenerstr. 25

X.±	.X± 0.30	.XX± 0.20	NAME<INTENDED USE>: 0.5mm PITCH HDMI CONN. 19POS. 0.6 CL. RECEPTACLE, R/A, DIP
X.*± 3'	.X*±	.XX*±	PART NO.<INTENDED USE>: HM03E SERIES
UNITS: mm	DATE: 2010-2-22		TITLE: CUSTOMER DRAWING
MATL			APPD: IVAN LIAO CHKD: GUOCHAO YAN DR: JESSIE PENG
			DWG NO.: 010-0005-HM0E
			SCALE SHEET REV N/A 2/2 B