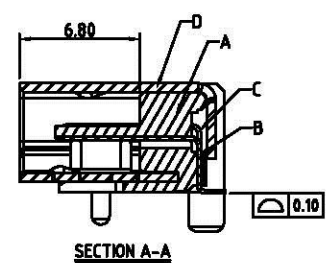
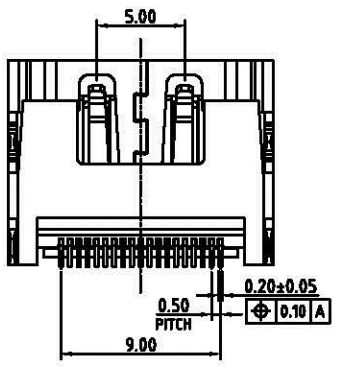
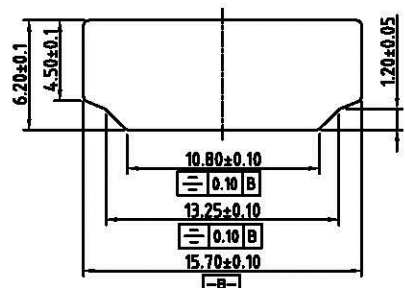
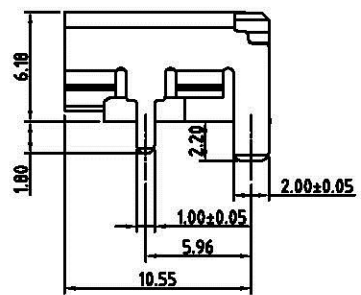
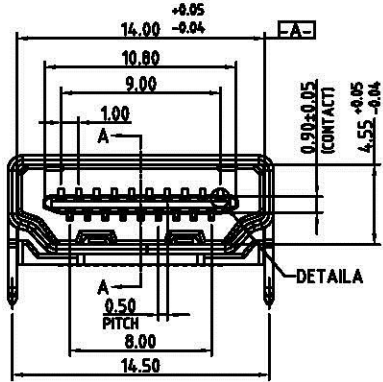
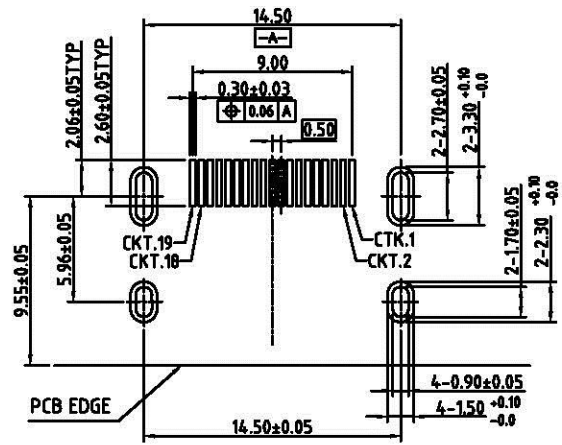
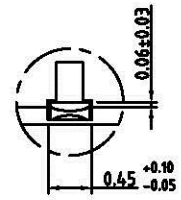
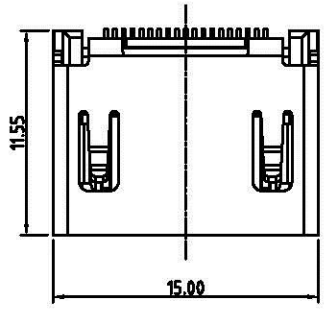
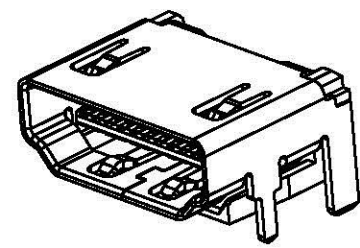


REV	ECN. NO.	APPD.
A	DC09011	LIAO 7/11/2009

- NOTES:
1. MATING FORCE: 4.5Kgf Max.
 2. UNMATING FORCE: 1.0Kgf min.; 4.0Kgf Max.
 3. DURABILITY: 10000 CYCLES.
 4. CONTACT RETENTION FORCE: 300gf/Pin(Min.)
 5. CURRENT RATING: 0.5A
 6. VOLTAGE RATING: 40V
 7. DIELECTRIC WITHSTANDING VOLTAGE: 300V AC/MINUTE
 8. P/N: HM02B- * - R0

PACKING METHOD:
R0: RELL WITHOUT MYLAR

- CONTACT PLATING:
- 1: GOLD FLASH PLATING ON CONTACT AREA
100u" MIN. MATTE TIN PLATING ON SOLDER AREA.
 - 3: 30u" MIN. GOLD PLATING ON CONTACT AREA
100u" MIN. MATTE TIN PLATING ON SOLDER AREA.
 - 5: 5u" MIN. GOLD PLATING ON CONTACT AREA
100u" MIN. MATTE TIN PLATING ON SOLDER AREA.
 - 7: 15u" MIN. GOLD PLATING ON CONTACT AREA
100u" MIN. MATTE TIN PLATING ON SOLDER AREA
 9. DIMENSION SHALL BE INTERPRETED PER ANSI Y14.5M-1994.
 10. MATERIALS:
HOUSING: HEAT RESISTING PLASTICS, COLOR BLACK, UL94V-0
CONTACT: COPPER ALLOY.
SHELL: COPPER ALLOY, 50u" NICKEL PLATING OVER ALL
NICKEL MUST BE SOLDERED.



ITEM	DESCRIPTION	Q'TY
D	SHELL	1
C	CONTACT 2	10
B	CONTACT 1	9
A	HOUSING	1

X±	.X± 0.25	.XX± 0.20	NAME-<INTENDED USE> HDMI RECEPTACLE,R/A, SMT TYPE 0.5mm PITCH, 19 POS.
X°±	.X°±	.XX°±	
UNITS:	mm	DATE: 4/22/2009	PART NO.-<INTENDED USE>
MAT'L			HM0B SERIES
			APPD: L M R
			CHKD: GUOCHAO YAN
			DR: CHENKUN
			TITLE: CUSTOMER DRAWING
			DWG NO. 010-0003-HM0B
			SCALE SHEET REV N/A 1/1 A

All Connectors
www.allconnectors.de
 Tel.: 0049 711 7009503
 70794 Filderstadt - Germany
 info@allconnectors.de
 Fax: 0049 711 7009504
 Kettnerstr. 25