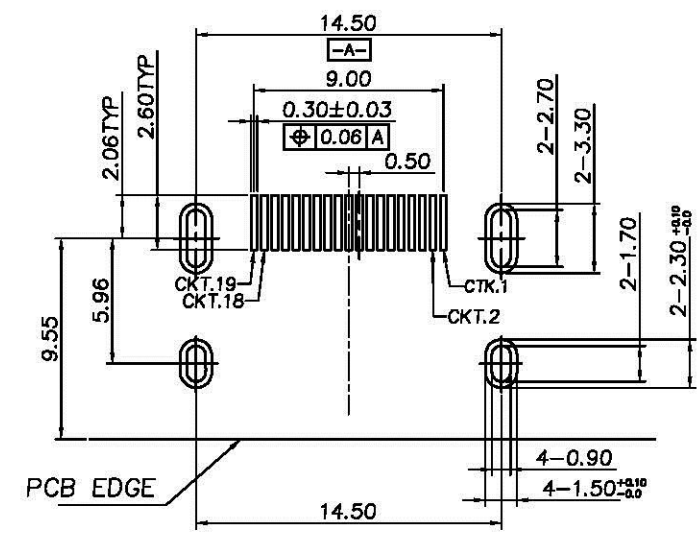
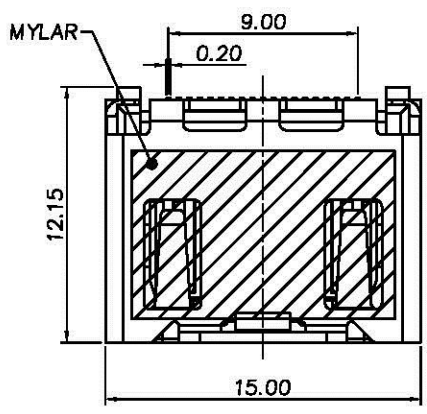
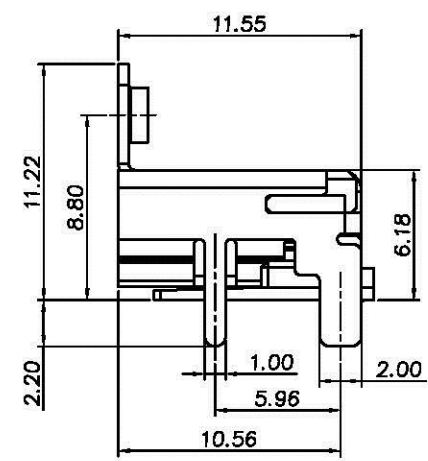
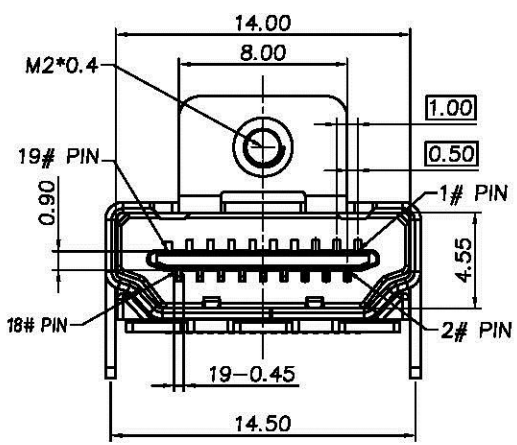


REV	ECN. NO.	APPD.
A	DC10031	IVAN LIAO



RECOMMENDED PCB HOLE LAYOUT
(TOLERANCE: ±0.05)

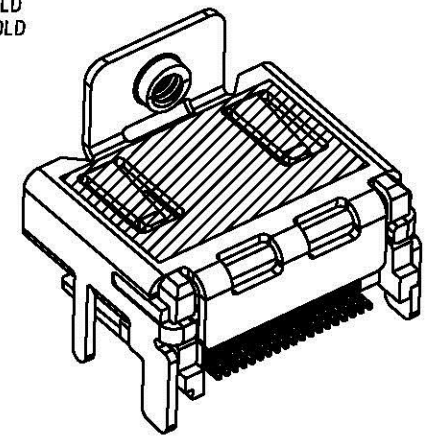


1. MATERIALS:
 1.1 HOUSING: LCP, COLOR BLACK, UL94V-0
 1.2 CONTACT: COPPER ALLOY. SELECTIVE GOLD(SEE P/N) PLATED ON CONTACT AREA, 80u" MIN. TIN PLATED IN SOLDER AREA, 30u" MIN. NICKEL PLATED OVERALL.
 1.3 SHELL: COPPER ALLOY, 50u" SOLDERABLE NICKEL PLATED OVERALL.

2. ELECTRICAL CHARACTERISTICS:
 2.1 CURRENT RATING: 0.5 AMP.
 2.2 CONTACT RESISTANCE: 30mΩ MAX. AT 1 AMP DC.
 2.3 INSULATION RESISTANCE: 100MΩ MIN. AT 500 VDC.
 2.4 DIELECTRIC WITHSTANDING VOLTAGE: 500V AC.
 2.5 OPERATING TEMPERATURE: -20 ~ +85°C

3. NOTES:
 3.1 THIS COMPONENT AND ITS HOMOGENOUS SUBCOMPONENT ARE HALONGEN-FREE COMPLIANT.
 3.2 HIGH TEMP. PROCESS STATEMENT:
 230°C FOR 30 TO 60 SECONDS & 265°C FOR 10 SECONDS.

4. PRODUCT NO.: HM08B-x-R1
 PLATING:
 1: GOLD FLASH
 5: 5u" GOLD
 6: 10u" GOLD
 7: 15u" GOLD
 3: 30u" GOLD
 PACKING METHOD:
 R1: REEL WITH MYLAR



X.±	.X± 0.30	.XX± 0.25	NAME<INTENDED USE>: HDMI CONN. 19POS. R/A, SMT, SHORT TAB	
X.± 3"	.X±	.XX±	PART NO.<INTENDED USE>: HM08B SERIES	TITLE: CUSTOMER DRAWING
UNITS: mm	DATE: 2010-11-20		APPD: IVAN LIAO	DWG NO.: 010-0003-HM08B
MAT'L			CHKD: GUOCHAO YAN	SCALE SHEET REV N/A 1/1 A
			DR: JESSIE PENG	

All Connectors
 www.allconnectors.de
 Tel.: 0049 711 7009503
 70794 Filderstadt - Germany
 info@allconnectors.de
 Fax: 0049 711 7009504
 Kettnerstr. 25