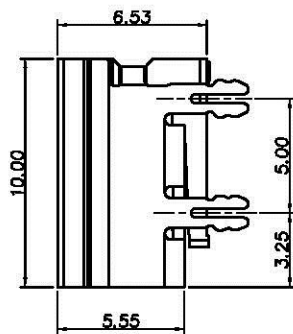
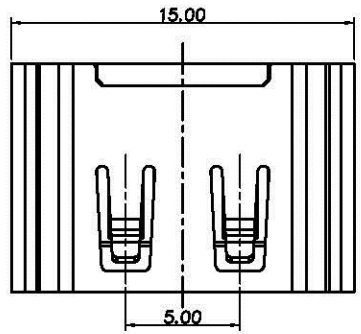
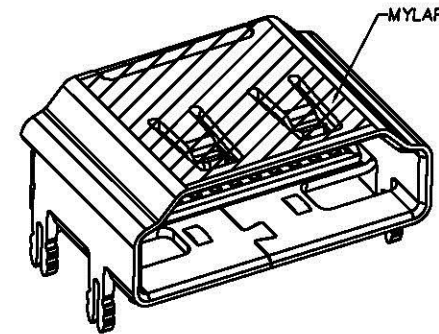
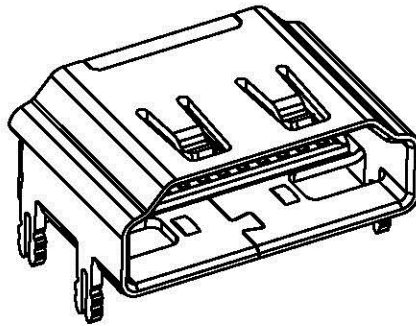
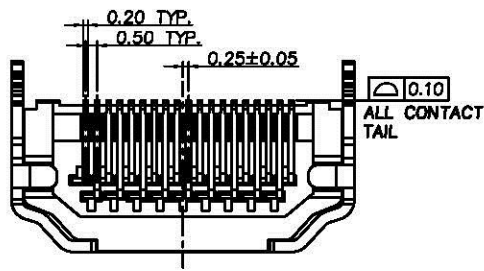


REV	ECN. NO.	APPD.
A		

A  
B  
C  
D

A  
B  
C  
D



**NOTES:**

**1. MATERIALS:**

HOUSING: HEAT RESISTING PLASTICS,UL94V-0, COLOR BLACK.  
 CONTACT: BRASS, GOLD(SEE P/N) PLATED ON CONTACT AREA, GOLD FLASH ON SOLDER TAIL, 50u" MIN. NICKEL UNDERPLATED OVER ALL.  
 SHELL: BRASS, 50u" MIN. NICKEL(CAN BE SOLDERED) PLATED OVER ALL.

**2. PART NUMBER DESCRIPTION:**

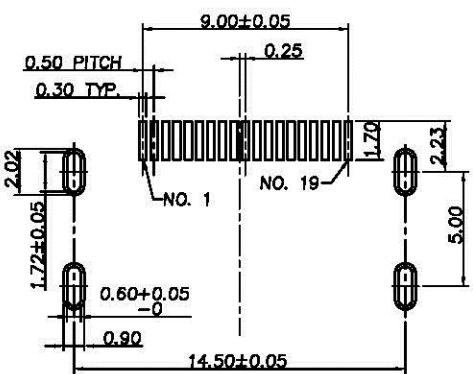
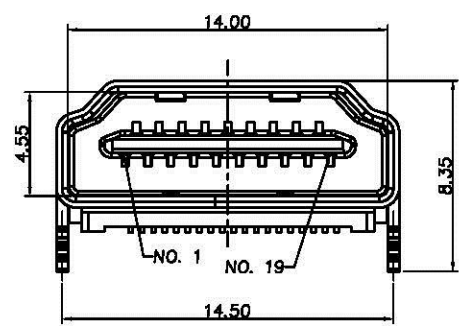
HMO2F- \* - R1

PACKING METHOD:  
R1: REEL WITH MYLAR

GOLD PLATED ON CONTACT AREA:  
 1: GOLD FLASH  
 5: 5u" MIN. GOLD  
 6: 10u" MIN. GOLD  
 7: 15u" MIN. GOLD

**Allconnectors**

www.allconnectors.de info@allconnectors.de  
 Tel.: 0049 711 7009503 Fax: 0049 711 7009504  
 70794 Filderstadt - Germany Kettmerstr. 25



**RECOMMENDED P.C.B LAYOUT(TOP VIEW)**  
PCB FOR 1.2~1.6mm

	.X± 0.25	.XX± 0.20	NAME<INTENDED USE>: HDMI CONN. REVERSE BY SMT TYPE	
3"	.X"±	.XX"±	PART NO.<INTENDED USE>: HMO2F SERIES	TITLE: CUSTOMER DRAWING
UNITS: mm	DATE: 2010-7-08		APPD: IVAN LIAO	DWG NO.: 010-0002-HMOF
MAT'L			CHKD: GUOCHAO YAN	SCALE SHEET REV N/A 1/1 A
			DR: JESSIE PENG	

1 2 3 4 5