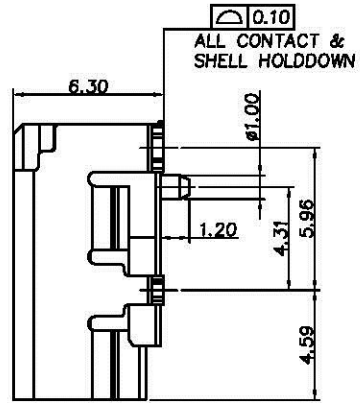
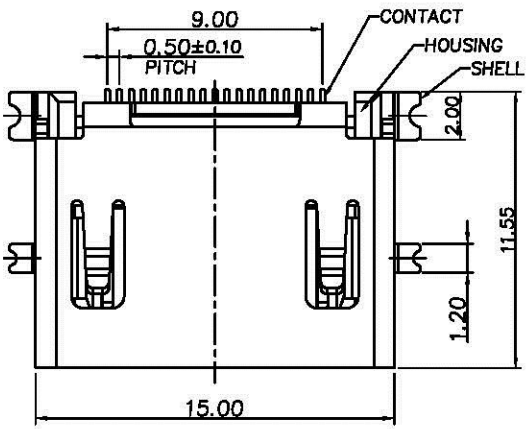


REV	ECN. NO.	APPD.

A



NOTES:

1. MATERIALS:

HOUSING: HEAT RESISTING PLASTICS, UL94V-0, COLOR BLACK.
 CONTACT: BRASS, GOLD(SEE P/N) PLATED ON CONTACT AREA, MATTE SN PLATED 100u" MIN. ON SOLDER TAIL, 50u" MIN. NICKEL UNDERPLATED OVER ALL.
 SHELL: BRASS, 50u" MIN. NICKEL(CAN BE SOLDERED) PLATED OVER ALL.

2. PART NUMBER DESCRIPTION:

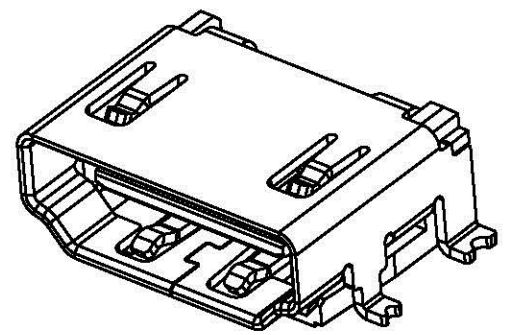
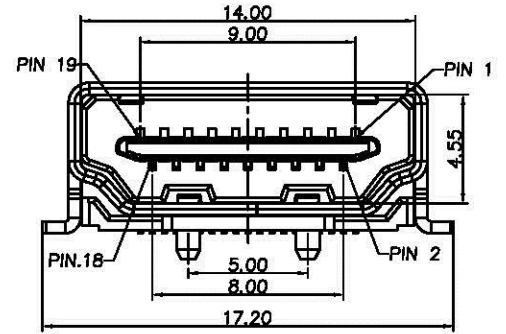
HM20B- * - RO

PACKING METHOD:
 RO: TAPE&REEL WITHOUT MYLAR

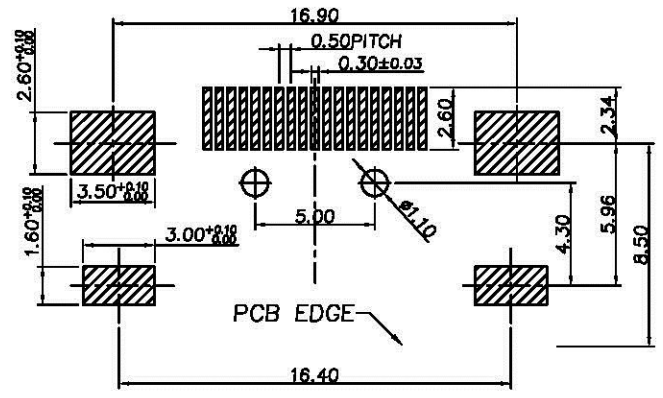
GOLD PLATED ON CONTACT AREA:

- 1: GOLD FLASH
- 5: 5u" MIN. GOLD
- 6: 10u" MIN. GOLD
- 7: 15u" MIN. GOLD
- 3: 30u" MIN. GOLD

B



C



RECOMMENDED P.C.B. LAYOUT
 COMPONENT SIDE (TOL.: ±0.05)

All Connectors

www.allconnectors.de
 Tel.: 0049 711 7009503
 70794 Filderstadt - Germany

info@allconnectors.de
 Fax: 0049 711 7009504
 Kettnerstr. 25

X.±	.X± 0.25	.XX± 0.20	NAME<INTENDED USE>:	HDMI CONN. 19PIN, R/A SMT
X.± 1*	.X*±	.XX*±	PART NO.<INTENDED USE>:	
UNITS: mm	DATE: 2011-3-11		MAT'L	TITLE: CUSTOMER DRAWING
				DWG NO.: 010-0001-HM20B
			APPD: IVAN LIAO	SCALE SHEET REV N/A 1/1 A
			CHKD: GUOCHAO YAN	
			DR: JESSIE PENG	

1

2

3

4

5

D