

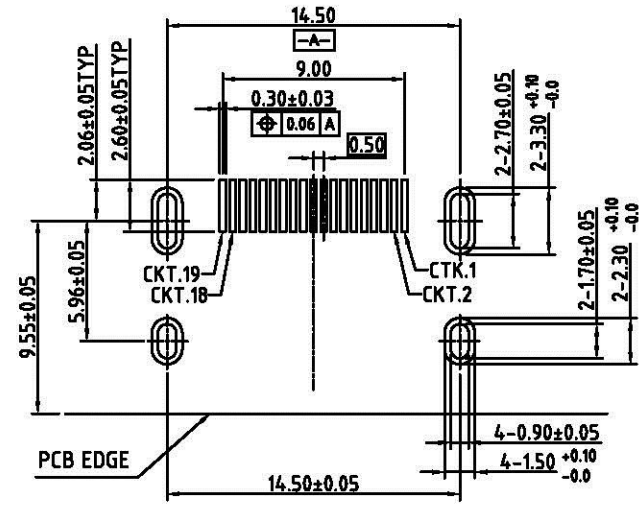
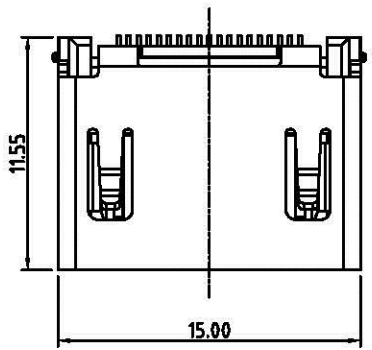
REV	ECN. NO.	APPD.

- NOTES:
1. MATING FORCE: 4.5Kgf Max.
  2. UNMATING FORCE: 1.0Kgf min.; 4.0Kgf Max.
  3. DURABILITY: 10000 CYCLES.
  4. CONTACT RETENTION FORCE: 300gf/Pin(Min.)
  5. CURRENT RATING: 0.5A
  6. VOLTAGE RATING: 40V
  7. DIELECTRIC WITHSTANDING VOLTAGE: 300V AC/MINUTE
  8. P/N: HM10B- \* - R0- \*

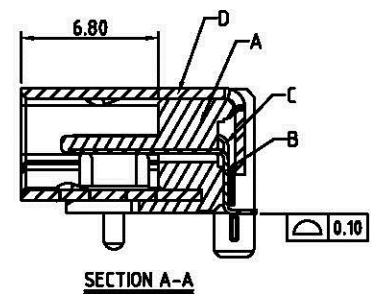
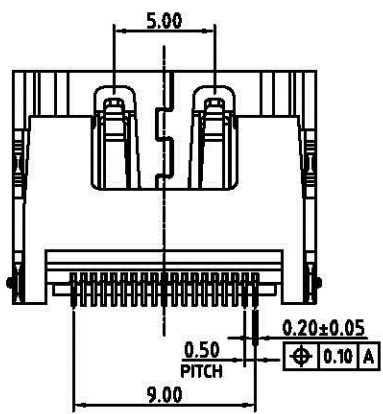
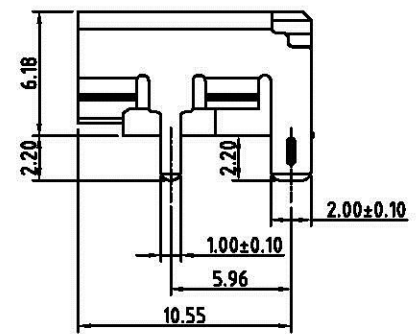
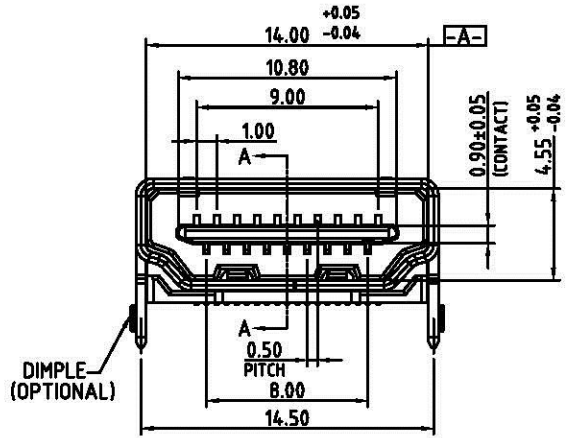
NONE: NO DIMPLE  
D: WITH DIMPLE  
PACKING METHOD:  
R0: RELL WITHOUT MYLAR

GOLD PLATED ON CONTACT AREA:  
1: GOLD FLASH PLATED  
3: 30u" MIN. GOLD PLATED  
5: 5u" MIN. GOLD PLATED  
6: 10u" MIN. GOLD PLATED  
7: 15u" MIN. GOLD PLATED

9. DIMENSION SHALL BE INTERPRETED PER ANSI Y14.5M-1994.
10. MATERIALS:  
HOUSING: HEAT RESISTING PLASTICS, COLOR BLACK, UL94V-0  
CONTACT: COPPER ALLOY, GOLD PLATED(SEE P/N) ON CONTACT AREA,  
100u" MIN. MATTE-TIN ON SOLDER TAIL,  
50u" MIN. NICKEL UNDERPLATED OVER ALL.  
SHELL: COPPER ALLOY, 50u" NICKEL(CAN BE SOLDERED) PLATED OVER ALL.



RECOMMENDED PCB LAYOUT  
CONNECTOR SIDE



**Allconnectors**

www.allconnectors.de info@allconnectors.de  
Tel.: 0049 711 7009503 Fax: 0049 711 7009504  
70794 Filderstadt - Germany Kettnerstr. 25

D	SHELL	1
C	CONTACT 2	10
B	CONTACT 1	9
A	HOUSING	1
ITEM	DESCRIPTION	Q'TY

X±	.X± 0.25	.XX± 0.20	NAME<INTENDED USE> HDMI RECEPTACLE,R/A, SMT TYPE 0.5mm PITCH, 19 POS.
X°±	.X°±	.XX°±	
UNITS:	mm	DATE: 2010-7-28	PART NO.<INTENDED USE> HM10B SERIES
MAT'L			TITLE: CUSTOMER DRAWING
			APPD: IVAN LIAO
			CHKD: GUOCHAO YAN
			DR: JESSIE PENG
			DWG NO. 010-0001-HM10B
			SCALE SHEET REV N/A 1/1 A