

REV	ECN. NO.	APPD.

A

B

C

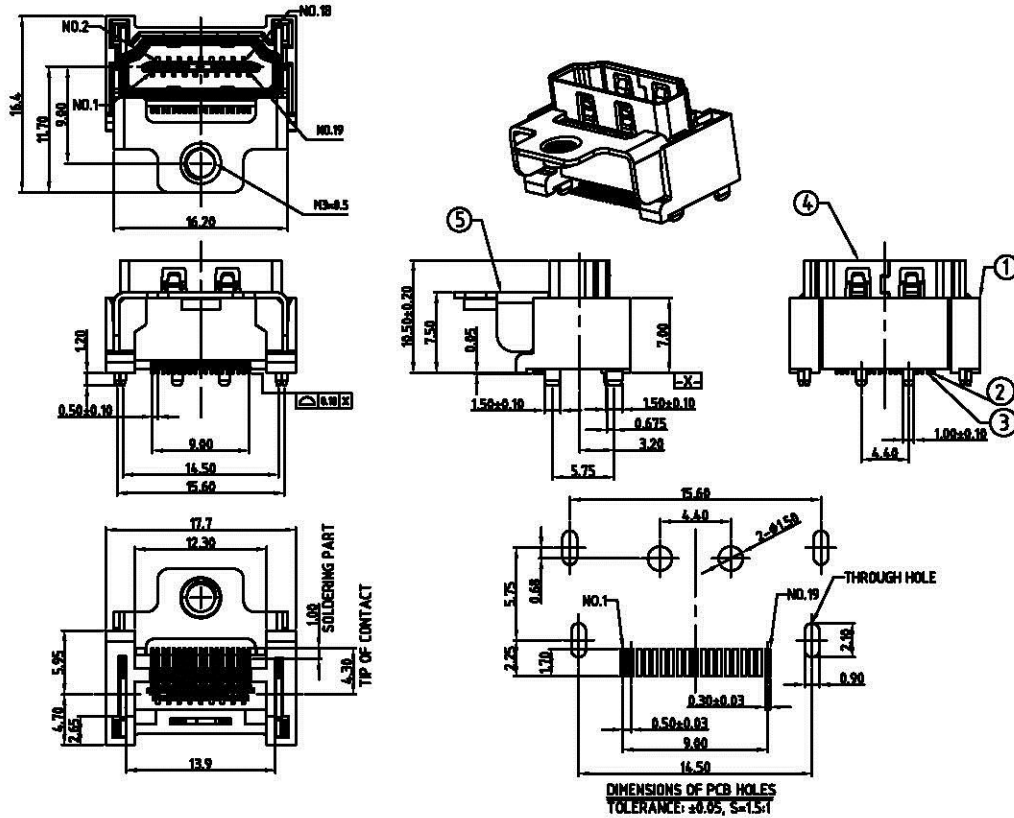
D

A

B

C

D



NOTES:

- MATING FORCE: 4.5Kgf Max.
- UNMATING FORCE: 1.0Kgf min.; 4.0Kgf Max.
- DURIABILITY: 10000 CYCLES.
- CONTACT RETENTION FORCE: 300gf/Pin(Min.)
- CURRENT RATING: 0.5A
- VOLTAGE RATING: 40V
- DIELECTRIC WITHSTANDING VOLTAGE: 500V AC/MINUTE
- OPERATING TEMPERATURE: -20°C TO +85 °C
- P/N: HM01D- * - R2

PACKING METHOD:
R2: RELL WITH CAP

CONTACT PLATING:

- GOLD FLASH PLATING ON CONTACT AREA
100u" MATTE TIN PLATING ON SOLDER AREA.
- 30u" MIN. GOLD PLATING ON CONTACT AREA
100u" MATTE TIN PLATING ON SOLDER AREA.
- 5u" MIN. GOLD PLATING ON CONTACT AREA
100u" MATTE TIN PLATING ON SOLDER AREA.
- 15u" MIN. GOLD PLATING ON CONTACT AREA
100u" MATTE TIN PLATING ON SOLDER AREA

FIG B: PRODUCT WITH CAP

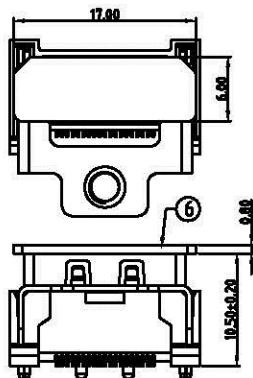
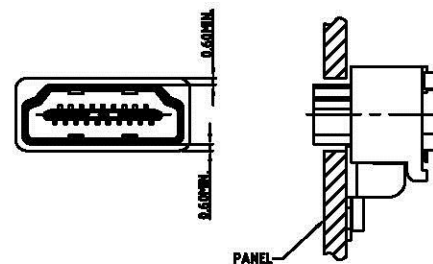


FIG C: ABOUT THE CUTTING SHAPE OF PANEL



ITEM	DESCRIPTION	Q'TY	MATERIAL
⑥	CAP	1	LCP, COLOR BLACK, UL94V-0
⑤	EARTH FITTING	1	STEEL, T=0.50, NICKEL PLATED
④	SHELL	1	COPPER ALLOY, T=0.50, NICKEL PLATED
③	CONTACT	9	COPPER ALLOY, T=0.20, GOLD PLATED
②	CONTACT	10	COPPER ALLOY, T=0.20, GOLD PLATED
①	HOUSING	1	LCP, COLOR BLACK, UL94V-0

X±	.X±	0.25	.XX±	0.20	NAME<INTENDED USE> HDMI RECEPTACLE, VERTICAL, SMT TYPE(h=7.5)	
X°±	.X°±		.XX°±		PART NO.<INTENDED USE> HM01D SERIES	TITLE: CUSTOMER DRAWING
UNITS: mm	DATE: 1/29/2010				APPD: L M R	DWG NO. 010-0001-HMOD
MAT'L					CHKD: GUOCHAO YAN	SCALE SHEET REV N/A 1/1 A
					DR: JESSIE PENG	