

REV	ECN. NO.	APPD.
A	DC08011	L M R 12/5/2008
B	DC09001	L M R 6/17/2009

NOTES:

- MATING FORCE: 4.5Kgf Max.
- UNMATING FORCE: 1.0Kgf min.; 4.0Kgf Max.
- DURIABILITY: 10000 CYCLES.
- CONTACT RETENTION FORCE: 300gf/Pin(Min.)
- CURRENT RATING: 0.5A
- VOLTAGE RATING: 40V
- DIELECTRIC WITHSTANDING VOLTAGE: 300V AC/MINUTE
- P/N: HM0A- * - ** - 01

PACKING METHOD:
R0: RELL WITHOUT MYLAR
R1: RELL WITH MYLAR

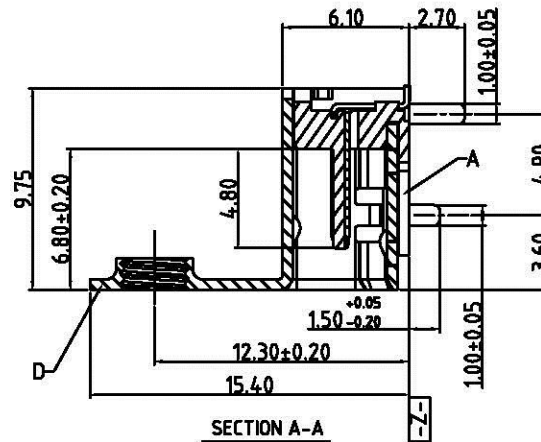
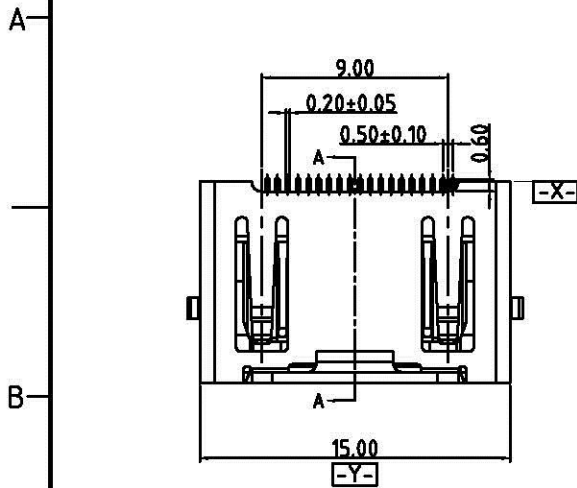
CONTACT PLATING:

- GOLD FLASH PLATING ON CONTACT AREA
100u" MIN. MATTE TIN PLATING ON SOLDER AREA.
- 30u" MIN. GOLD PLATING ON CONTACT AREA
100u" MIN. MATTE TIN PLATING ON SOLDER AREA.
- 15u" MIN. GOLD PLATING ON CONTACT AREA
100u" MIN. MATTE TIN PLATING ON SOLDER AREA.

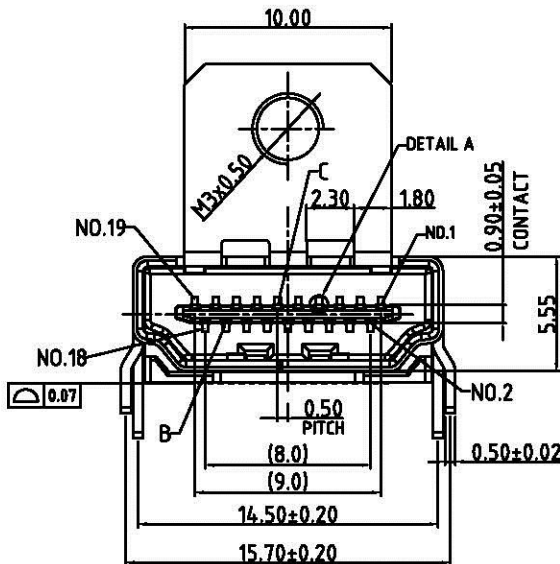
9. DIMENSION SHALL BE INTERPRETED PER ANSI Y14.5M-1994.

10. MATERIALS:

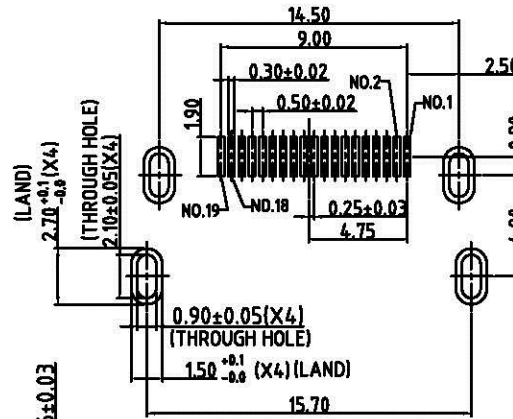
HOUSING: HEAT RESISTING PLASTICS, COLOR BLACK, UL94V-0
CONTACT: PHOSPHOR BRONZE
SHELL: COPPER ALLOY, 100u" NICKEL PLATING OVER ALL
NICKEL MUST BE SOLDERED.



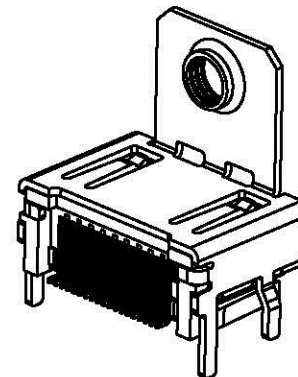
SECTION A-A
SCALE 1:1



DETAIL A
SCALE: 4:1



RECOMMENDED P. C. B LAYOUT
PCB TOLERANCE ±0.05



D	SHELL	1
C	CONTACT 2	10
B	CONTACT 1	9
A	HOUSING	1
ITEM	DESCRIPTION	Q'TY

X± 0.30	X± 0.25	.XX± 0.20	NAME-<INTENDED USE> HDMI RECEPTACLE,R/A, SMT TYPE 0.5mm PITCH, 19 POS.
X°±	.X°±	.XX°±	
UNITS: mm	DATE: 3/12/2009	PART NO. <INTENDED USE> HM0A SERIES	TITLE: CUSTOMER DRAWING
MAT'L		APPD: L M R	DWG NO. 010-0001-HM0A
		CHKD: GUOCHAO YAN	SCALE: SHEET REV N/A 1/1 B
		DR: CHENKUN	

All Connectors

www.allconnectors.de
Tel.: 0049 711 7009503
70794 Filderstadt - Germany

info@allconnectors.de
Fax: 0049 711 7009504
Kettnerstr. 25