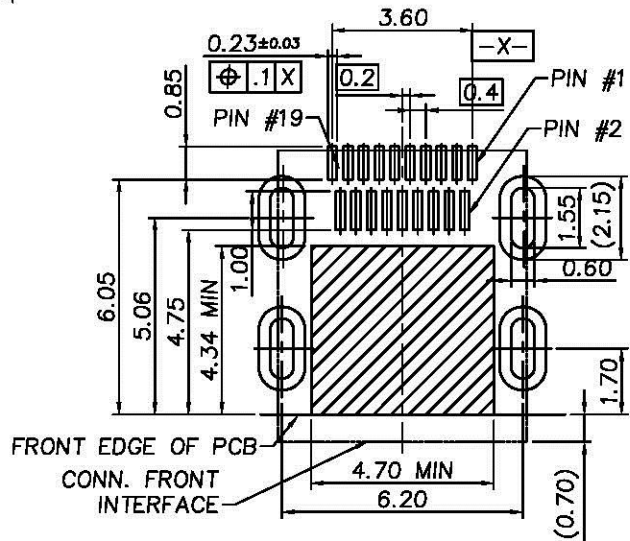
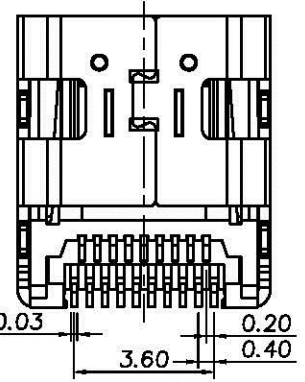
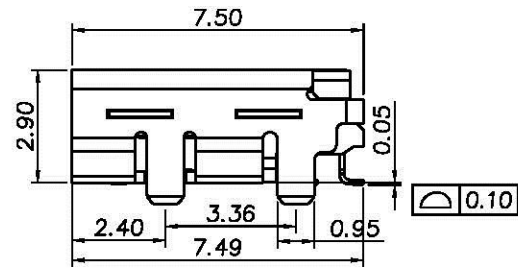
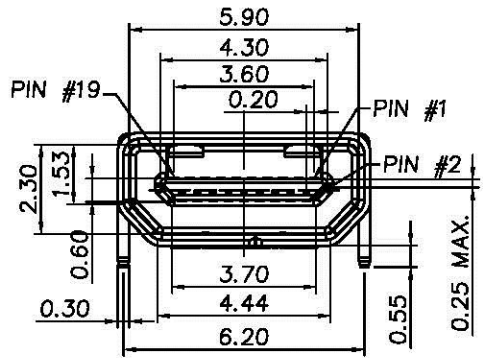
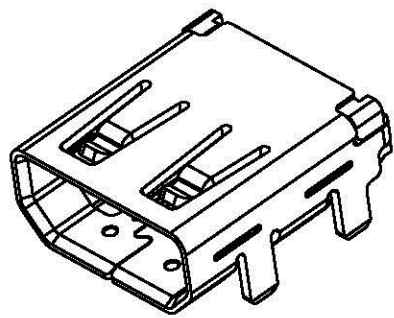
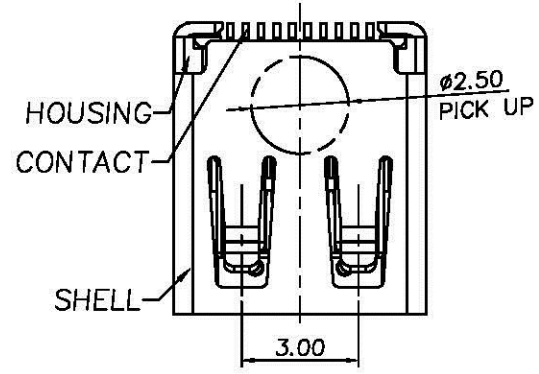


REV	ECN. NO.	APPD.

A
B
C
D



RECOMMENDED P.C.B. LAYOUT
THICKNESS: 1.20mm(TOL.: ±0.05)

NOTES:

1. MATERIALS:
HOUSING: HEAT RESISTING PLASTICS,UL94V-0, COLOR BLACK.
CONTACT: COPPER ALLOY, GOLD(SEE P/N) PLATED ON CONTACT AREA,
Sn PLATED 100~150u" ON SOLDER TAIL,
50u" MIN. NICKEL UNDERPLATED OVER ALL.
SHELL: COPPER ALLOY, 50u" MIN. SOLDERABILITY NICKEL
PLATED OVER ALL.

2. ELECTRICAL CHARACTERISTICS:
2-1. CONTACT CURRENT RATING: 0.3A MIN.
RATED VOLTAGE: 40V AC MAX.
2-2. CONTACT RESISTANCE:
INITIAL: 10mΩ MAX.(EXCLUDING CONDUCTOR RESISTANCE)
AFTER TEST: CHANGE FROM INITIAL VALUE 30mΩ MAX.
2-3. SHELL RESISTANCE:
INITIAL: 10mΩ MAX.(EXCLUDING CONDUCTOR RESISTANCE)
AFTER TEST: CHANGE FROM INITIAL VALUE 50mΩ MAX.
2-4. DIELECTIC WITHSTANDING VOLTAGE:
UNMATED CONN.: 250V AC RMS.
MATED CONN.: 150V AC RMS.
2-5. INSULATION RESISTANCE:
UNMATED CONN.: 100MΩ MIN. AT 500V DC.
MATED CONN.: 10MΩ MIN. AT 150V DC.

3. MECHANICAL CHARACTERISTICS:
3-1. CONNECTOR MATING FORCE: 44.1N MAX.
3-2. CONNECTOR UNMATING FORCE: 5~25N.
3-3. DURABILITY: 5000 CYCLES.
3-4. OPERATING TEMPERATURE RANGE: -25~85°C.

4. PART NUMBER DESCRIPTION:

HM01M- * - R0

PACKING METHOD:
R0: REEL WITH MYLAR

GOLD PLATED ON CONTACT AREA:
1: GOLD FLASH
5: 5u" MIN. GOLD
6: 10u" MIN. GOLD
7: 15u" MIN. GOLD
3: 30u" MIN. GOLD

Allconnectors

www.allconnectors.de
Tel.: 0049 711 7009503
70794 Filderstadt - Germany

info@allconnectors.de
Fax: 0049 711 7009504
Kettnerstr. 25

X.±	.X± 0.25	.XX± 0.15	NAME<INTENDED USE>: MICRO-HDMI CONN. 19POS. 0.4P CH=1.45mm	TITLE: CUSTOMER DRAWING
X.± 3"	.X"±	.XX"±	PART NO.<INTENDED USE>: HM01M SERIES	DWG NO.: 010-0001-HM01M
UNITS: mm	DATE: 2010-11-16		APPD: IVAN LIAO	CHKD: GUOCHAO YAN
MAT'L			DR: JESSIE PENG	SCALE SHEET REV N/A 1/1 A