

NOTES:

- 1 THIS CONNECTOR IS DESIGNED TO MEET THE APPLICABLE PERFORMANCE REQUIREMENTS OF IEC 61076-4-101 AND BELLCORE GR-1217-CORE
- 2 RoHS DIRECTIVE COMPLIANCE, MAX SOLDERING TEMPERATURE 225°C.

MATERIALS

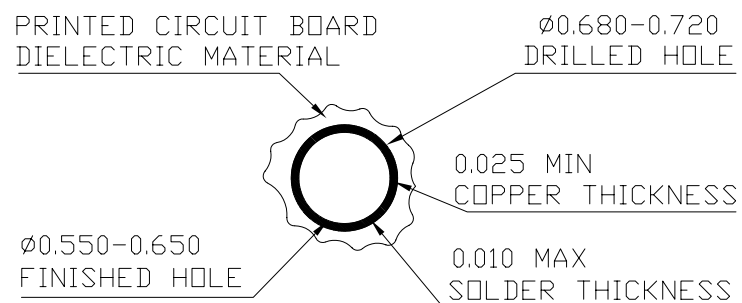
- ① Insulators — Thermoplastic Polyester, glass filled
Rated UL 94V-0, Color: Gray
- ② Pin contacts — Copper Alloy
Finish: Mating Zone=Gold
Compliant Zone=Matte Tin
Performance Class 2= 250 cycles

PERFORMANCE CHARACTERISTICS

- Insulation resistance — 10,000 megohms minimum
- Dielectric withstanding voltage (at sea level) — 750 Vrms
- Current rating — 1 amp @70°C, fully loaded
1.5 amp @20°C, fully loaded
- Operating temperature range — -55°C to +125°C
- Contact resistance — 20 milliohms maximum

COMPLIANT CONTACT

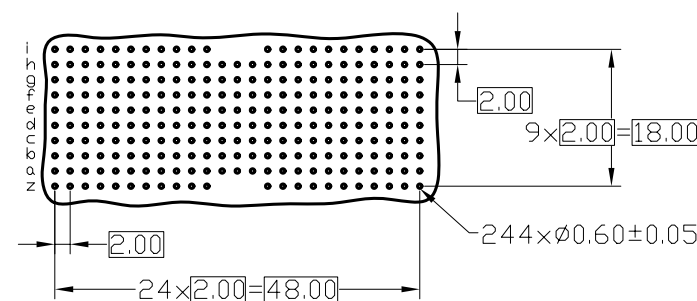
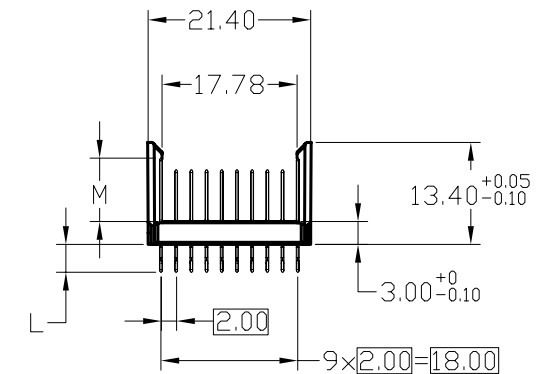
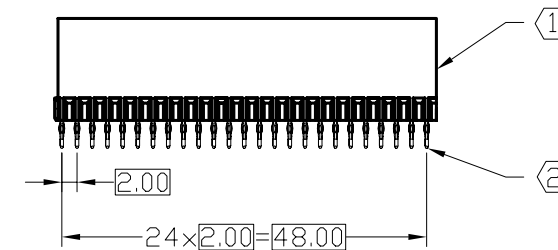
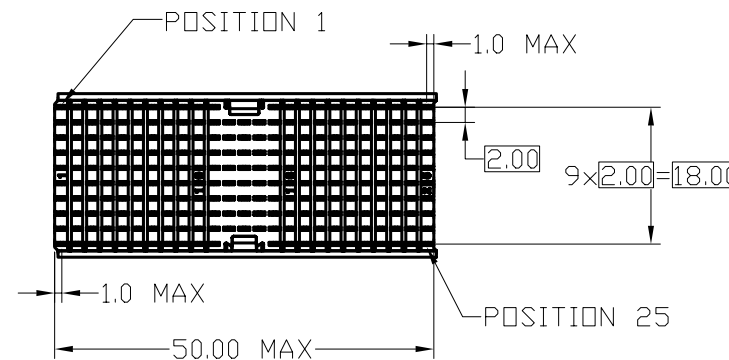
- Max.Insertion Force (per contact) — 22.5 lbs./100 N
- Min. Retention force (per contact) — 4.5 lbs./20 N



	PDS.1	PDS.5	PDS.10	PDS.15	PDS.20	PDS.25
ROW I	6	6	6	6	6	6
ROW h	5	5	5	5	5	5
ROW g	5	5	5	5	5	5
ROW f	5	5	5	5	5	5
ROW e	5	5	5	5	5	5
ROW d	5	5	5	5	5	5
ROW c	5	5	5	5	5	5
ROW b	5	5	5	5	5	5
ROW a	5	5	5	5	5	5
ROW z	6	6	6	6	6	6

PIN CODE	MATING LENGTH OF CONTACTS	CONTACT TAIL LENGTHS
	M	L
5	.268/6.80	.146/3.70
6	.329/8.35	.146/3.70

SELECTIVE LOADING PATTERN



RECOMMENDED PC BOARD REQUIREMENTS
(COMPONENT SIDE BOARD SHOWN)

DESIGN UNITS ■ mm □ INCH	NAME: 2MM HEADER DE TYPE		All Connectors	
	GENERAL TOLERANCES: (UNLESS SPECIFIED)		PART NO: NX5DEAJ01A51PA	TITLE: CUSTOMER DWG. C
4 PLACE	±.***	±.***	APPD: 蘇侯安 4/28'05	DWG. NO: C-NX5DEAJ01A51PA
3 PLACE	±0.08	±.***	CHKD: 楊海文 4/28'05	SCALE: 1 / 1
2 PLACE	±0.15	±.***	DRAWN: 畢杏子 4/26'05	SHEET: 1 / 1
1 PLACE	±0.20	±.***		REV.: A
ANGULAR:	X°±.***	.X°±.***		

REV.	ECN. NO.	DESCRIPTION	DATE	DRAWN	APPD
A	***	新版發行	4/28'05	Seawen	Alan