

NOTES:

- ① THIS CONNECTOR IS DESIGNED TO MEET THE APPLICABLE PERFORMANCE REQUIREMENTS OF IEC 61076-4-101 AND BELLCORE GR-1217-CORE
- 2 RoHS DIRECTIVE COMPLIANCE, MAX SOLDERING TEMPERATURE 225°C.
- 3 CONNECTORS ARE END STACKABLE ON A 2.0 GRID.
- ④ FOR COMPLIANT CONTACT PLATED THRU HOLE REQUIREMENTS SEE THRU HOLE PLATING VIEW. MINIMUM P.C.BOARD THICKNESS 1.57 NOMINAL.
- ⑤ DIMENSIONS APPLY AFTER INSTALLATION IN P.C.BOARD.
- 6 CONNECTOR WITH MIXED PIN LENGTH.SELECTIVE LOADING PER PICMG™ (COMPUTER TELEPHONY SPECIFICATIONS) 2.5 R1.0 APRIL 3, 1998 SEE SELECTIVE LOADING CHART AND LOADING PATTERN.
- ⑦ 0.2 MAX. GAP PERMISSIBLE TO P.C.BOARD

SPECIFICATIONS

MATERIALS

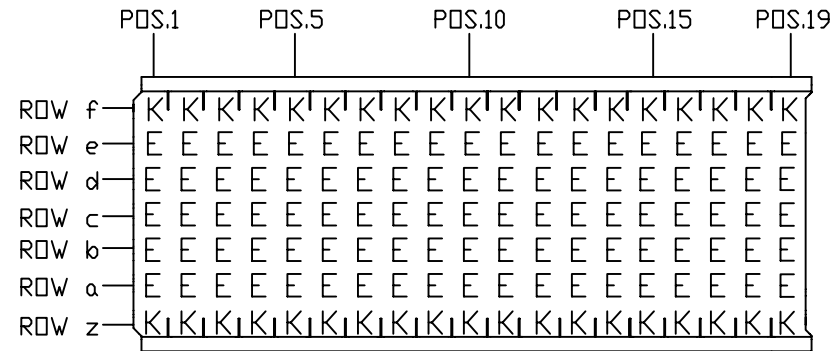
- ① Insulators: Thermoplastic Polyester, glass filled
Rated UL 94V-0, Color: Gray
- ② Pin contacts:
Copper Alloy
Finish: Mating Zone=Gold
Compliant Zone=Tin/Lead(Matte Tin)
Performance Class 2= 250 cycles

PERFORMANCE CHARACTERISTICS ①

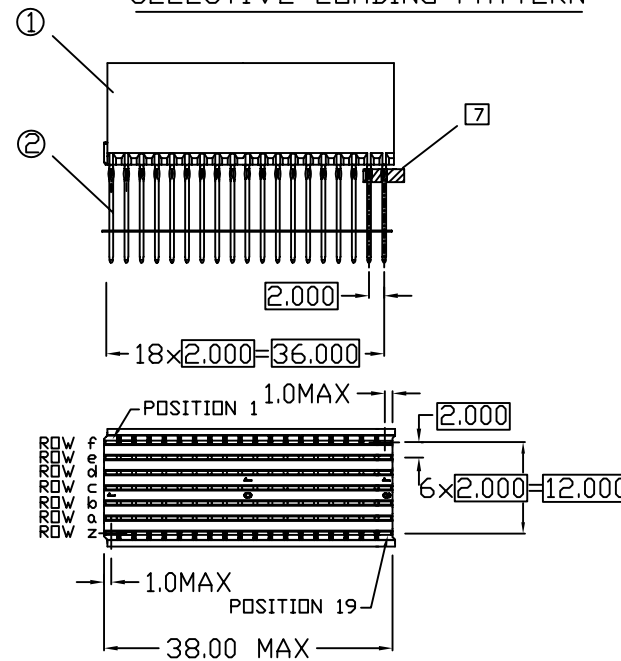
Insulation resistance: 10000 megohms minimum
 Dielectric withstanding voltage(at sea level): 750 Vrms
 Current rating: 1 amp @70°C, fully loaded
 1.5 amp @20°C, fully loaded
 Operating temperature range: -55°C to +125°C
 Contact resistance: 20 milliohms maximum

COMPLIANT CONTACT

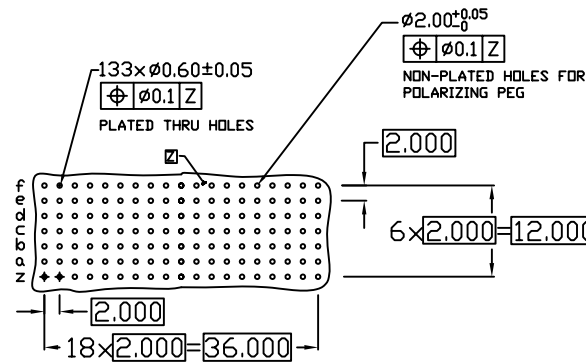
Max.Insertion Force(per contact): 22.5 lbs./100 N
 Min. Retention force(per contact): 4.5 lbs./20 N



SELECTIVE LOADING PATTERN

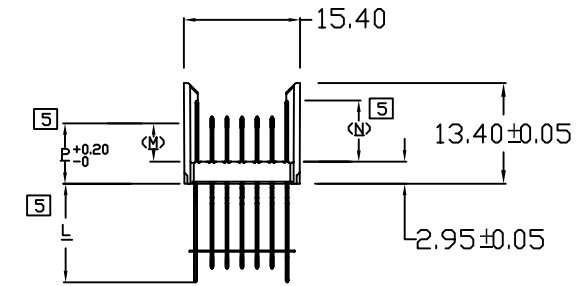


CATALOG No. NX5B0BA87X04CA SHOW



RECOMMENDED PC BOARD REQUIREMENTS
(COMPONENT SIDE BOARD SHOWN)

PIN CODE	MATING LENGTH OF CONTACTS			CONTACT TAIL LENGTHS
	SIGNAL	ALL	GROUND	
	M	P	N	L
E	.268/6.80	.382/9.70	N/A	.571/14.50
K	.327/8.30	.441/11.20	.327/8.30	.630/16.00



PRINTED CIRCUIT BOARD DIELECTRIC MATERIAL
 DRILLED HOLE $\phi 0.680-0.720$
 0.025 MIN COPPER THICKNESS
 0.010 MAX SOLDER THICKNESS
 FINISHED HOLE $\phi 0.550-0.650$

THRU HOLE PLATING
SCALE 10:1

DESIGN UNITS ■ mm □ INCH		NAME: 2MM HEADER B TYPE	All Connectors	
GENERAL TOLERANCES: (UNLESS SPECIFIED)		PART NO: NX5B0BA87X04CA	TITLE: CUSTOMER DWG	C
4 PLACE	± 0.05 $\pm .002$	APPD:	DWG. NO: C-NX5B0BA87X04CA	
3 PLACE	± 0.10 $\pm .004$	CHKD:	SCALE: 1/1	SHEET: 1/1
2 PLACE	± 0.20 $\pm .008$	DRAWN: 何潔賢 5/29'06	REV.: A	
1 PLACE	± 0.30 $\pm .012$			
ANGULAR:	X°±** .X°±**			

A	**	Release	05/29'06	Jexan	
REV.	ECN. NO.	DESCRIPTION	DATE	DRAWN	APPD