

NOTES:

- ① THIS CONNECTOR IS DESIGNED TO MEET THE APPLICABLE PERFORMANCE REQUIREMENTS OF IEC 61076-4-101 AND BELLCORE GR-1217-CORE
- 2 RoHS DIRECTIVE COMPLIANCE, MAX SOLDERING TEMPERATURE 225°C.
- 3 CONNECTORS ARE END STACKABLE ON A 2.0 GRID.
- ④ FOR COMPLIANT CONTACT PLATED THRU HOLE REQUIREMENTS SEE THRU HOLE PLATING VIEW. MINIMUM P.C.BOARD THICKNESS 1.57 NOMINAL.
- ⑤ DIMENSIONS APPLY AFTER INSTALLATION IN P.C.BOARD.
- 6 CONNECTOR WITH MIXED PIN LENGTH.SELECTIVE LOADING PER PICMG™ (COMPUTER TELEPHONY SPECIFICATIONS) 2.5 R1.0 APRIL 3, 1998 SEE SELECTIVE LOADING CHART AND LOADING PATTERN.
- ⑦ 0.2 MAX. GAP PERMISSIBLE TO P.C.BOARD

SPECIFICATIONS

MATERIALS

- ① Insulators: Thermoplastic Polyester, glass filled
Rated UL 94V-0, Color: Gray
- ② Pin contacts:
Copper Alloy
Finish: Mating Zone=Gold
Compliant Zone=Tin/Lead(Matte Tin)
Performance Class 2= 250 cycles

PERFORMANCE CHARACTERISTICS ①

Insulation resistance: 10000 megohms minimum
 Dielectric withstanding voltage(at sea level): 750 Vrms
 Current rating: 1 amp @70°C, fully loaded
 1.5 amp @20°C, fully loaded
 Operating temperature range: -55°C to +125°C
 Contact resistance: 20 milliohms maximum

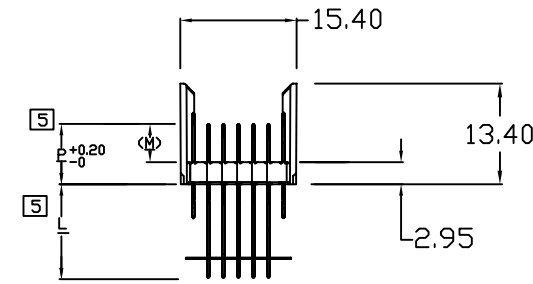
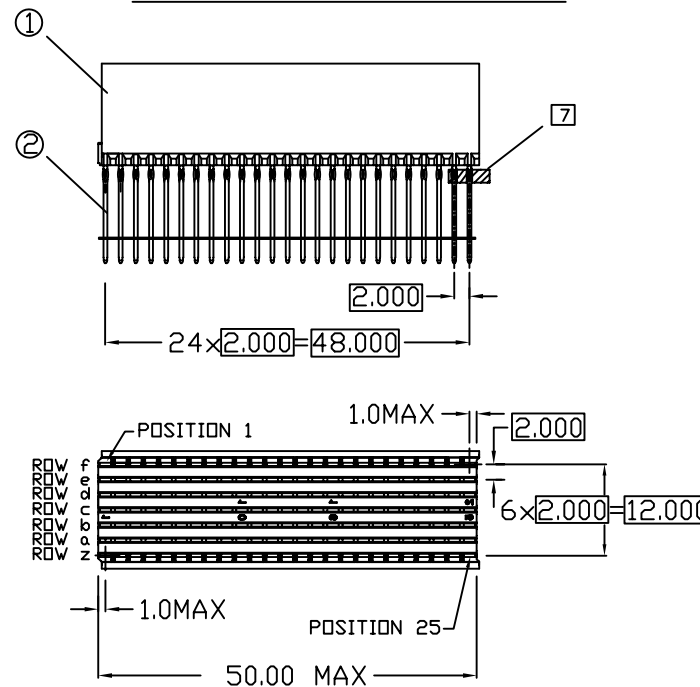
COMPLIANT CONTACT

Max.Insertion Force(per contact): 22.5 lbs./100 N
 Min. Retention force(per contact): 4.5 lbs./20 N

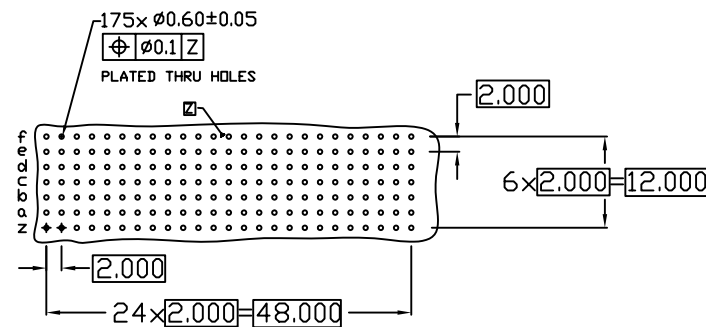
	POS.1	POS.5	POS.10	POS.15	POS.20	POS.25
ROW f	6	6	6	6	6	6
ROW e	7	7	7	7	7	7
ROW d	7	7	7	7	7	7
ROW c	7	7	7	7	7	7
ROW b	7	7	7	7	7	7
ROW a	7	7	7	7	7	7
ROW z	6	6	6	6	6	6

PIN CODE	MATING LENGTH OF CONTACTS			CONTACT TAIL LENGTHS
	SIGNAL	ALL	GROUND	
6	.329/8.35	.443/11.25	.327/8.30	.146/3.70
7	.209/5.30	.323/8.20	N/A	.512/13.00

SELECTIVE LOADING PATTERN



CATALOG No. NX5B0AE01C11CA SHOW



PRINTED CIRCUIT BOARD DIELECTRIC MATERIAL
 DRILLED HOLE: $\phi 0.680-0.720$
 COPPER THICKNESS: 0.025 MIN
 FINISHED HOLE: $\phi 0.550-0.650$
 SOLDER THICKNESS: 0.010 MAX

THRU HOLE PLATING
 SCALE 10:1

RECOMMENDED PC BOARD REQUIREMENTS
 (COMPONENT SIDE BOARD SHOWN)

DESIGN UNITS	mm		INCH	
	mm	INCH	mm	INCH
4 PLACE	± 0.05	± .002	± .002	± .002
3 PLACE	± 0.10	± .004	± .004	± .004
2 PLACE	± 0.20	± .008	± .008	± .008
1 PLACE	± 0.30	± .012	± .012	± .012
ANGULAR:	X° ± .5	X° ± .5	X° ± .5	X° ± .5

NAME: 2MM HEADER B TYPE	All Connectors	
PART NO: NX5B0AE01C11CA	TITLE: CUSTOMER DWG	C
APPD:	DWG. NO: C-NX5B0AE01C11CA	
CHKD:	SCALE: 1 / 1	SHEET: 1 / 1
DRAWN: 何潔賢 5/29'06	REV.:	A

REV.	ECN. NO.	DESCRIPTION	DATE	DRAWN	APPD
A	**	Release	05/29'06	Jexan	