

**NOTES:**

- ① THIS CONNECTOR IS DESIGNED TO MEET THE APPLICABLE PERFORMANCE REQUIREMENTS OF IEC 61076-4-101 AND BELLCORE GR-1217-CORE
- 2 RoHS DIRECTIVE COMPLIANCE, MAX SOLDERING TEMPERATURE 225°C.
- 3 CONNECTORS ARE END STACKABLE ON A 2.0 GRID.
- 4 FOR COMPLIANT CONTACT PLATED THRU HOLE REQUIREMENTS SEE THRU HOLE PLATING VIEW. MINIMUM P.C.BOARD THICKNESS 1.57 NOMINAL.
- ⑤ DIMENSIONS APPLY AFTER INSTALLATION IN P.C.BOARD.
- 6 CONNECTOR WITH MIXED PIN LENGTH.SELECTIVE LOADING PER PICMG™ (COMPUTER TELEPHONY SPECIFICATIONS) 2.5 R1.0 APRIL 3, 1998 SEE SELECTIVE LOADING CHART AND LOADING PATTERN.
- ⑦ 0.2 MAX. GAP PERMISSIBLE TO P.C.BOARD

SPECIFICATIONS

MATERIALS

- ① Insulators: Thermoplastic Polyester, glass filled  
Rated UL 94V-0, Color: Gray
- ② Pin contacts:  
Copper Alloy  
Finish: Mating Zone=Gold  
Compliant Zone=Tin/Lead(Matte Tin)  
Performance Class 2= 250 cycles

PERFORMANCE CHARACTERISTICS ①

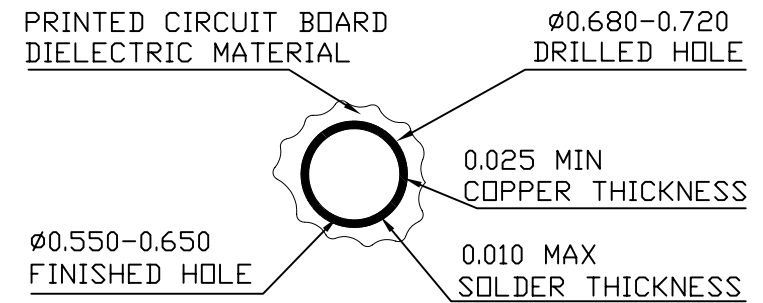
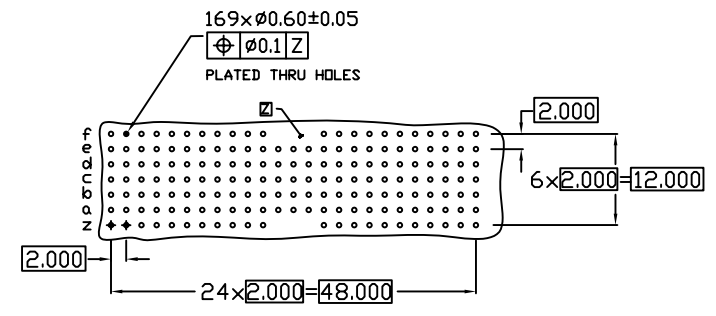
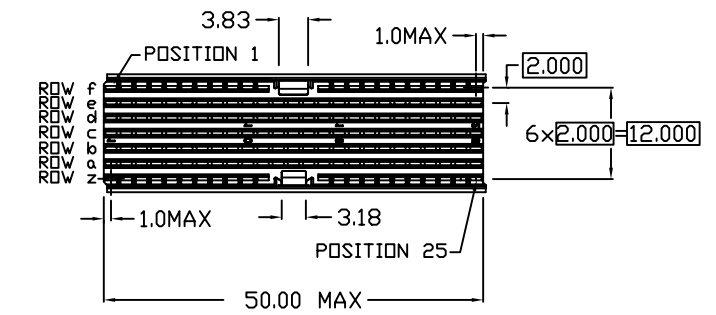
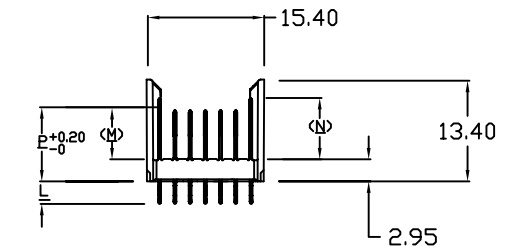
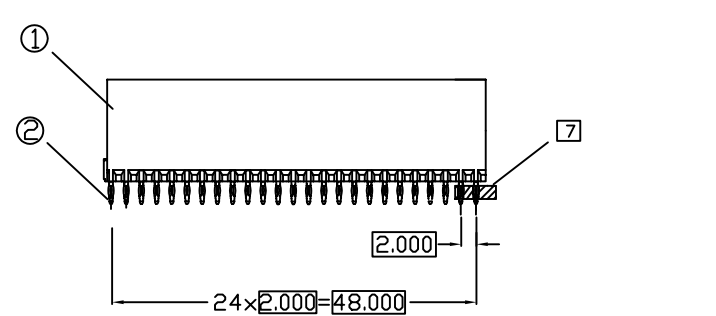
Insulation resistance: 10000 megohms minimum  
 Dielectric withstanding voltage(at sea level): 750 Vrms  
 Current rating: 1 amp @70°C, fully loaded  
 1.5 amp @20°C, fully loaded  
 Operating temperature range: -55°C to +125°C  
 Contact resistance: 20 milliohms maximum

COMPLIANT CONTACT

Max.Insertion Force(per contact): 22.5 lbs./100 N  
 Min. Retention force(per contact): 4.5 lbs./20 N

|       | POS.1 | POS.5 | POS.10 | POS.15 | POS.20 | POS.25 |
|-------|-------|-------|--------|--------|--------|--------|
| ROW f | 6     | 6     | 6      | 6      | 6      | 6      |
| ROW e | 5     | 5     | 5      | 5      | 5      | 5      |
| ROW d | 5     | 5     | 5      | 5      | 5      | 5      |
| ROW c | 5     | 5     | 5      | 5      | 5      | 5      |
| ROW b | 5     | 5     | 5      | 5      | 5      | 5      |
| ROW a | 5     | 5     | 5      | 5      | 5      | 5      |
| ROW z | 6     | 6     | 6      | 6      | 6      | 6      |

| PIN CODE | MATING LENGTH OF CONTACTS |            |           | CONTACT TAIL LENGTHS |
|----------|---------------------------|------------|-----------|----------------------|
|          | SIGNAL                    | ALL        | GROUND    |                      |
| 4        | .209/5.30                 | .323/8.20  | N/A       | .146/3.70            |
| 5        | .268/6.80                 | .382/9.70  | N/A       | .146/3.70            |
| 6        | .329/8.35                 | .443/11.25 | .327/8.30 | .146/3.70            |



RECOMMENDED PC BOARD REQUIREMENTS  
(COMPONENT SIDE BOARD SHOWN)

|   |                             |                              |         |
|---|-----------------------------|------------------------------|---------|
| DESIGN UNITS<br>■ mm □ INCH               | NAME:<br>2MM HEADER AB TYPE | All Connectors               |         |
| GENERAL TOLERANCES:<br>(UNLESS SPECIFIED) | PART NO:<br>NX5ABBE17X01AA  | TITLE:<br>CUSTOMER DWG       | C       |
| 4 PLACE ± 0.05 ±.***                      | APPD:                       | DWG. NO:<br>C-NX5ABBE17X01AA |         |
| 3 PLACE ± 0.10 ±.***                      | CHKD:                       | SCALE: 1/1                   |         |
| 2 PLACE ± 0.20 ±.***                      | DRAWN: 何潔賢 5/29'06          | SHEET: 1/1                   | REV.: A |
| 1 PLACE ± 0.30 ±.***                      |                             |                              |         |
| ANGULAR: X°±.*** .X°±.***                 |                             |                              |         |

| REV. | ECN. NO. | DESCRIPTION | DATE     | DRAWN | APPD |
|------|----------|-------------|----------|-------|------|
| A    | **       | Release     | 05/29'06 | Jexan |      |