

**NOTES:**

- ① THIS CONNECTOR IS DESIGNED TO MEET THE APPLICABLE PERFORMANCE REQUIREMENTS OF IEC 61076-4-101 AND BELLCORE GR-1217-CORE
- 2 RoHS DIRECTIVE COMPLIANCE, MAX SOLDERING TEMPERATURE 225°C.
- 3 CONNECTORS ARE END STACKABLE ON A 2.0 GRID.
- ④ FOR COMPLIANT CONTACT PLATED THRU HOLE REQUIREMENTS SEE THRU HOLE PLATING VIEW. MINIMUM P.C.BOARD THICKNESS 1.57 NOMINAL.
- ⑤ DIMENSIONS APPLY AFTER INSTALLATION IN P.C.BOARD.
- 6 CONNECTOR WITH MIXED PIN LENGTH. SELECTIVE LOADING PER PICMG™ (COMPUTER TELEPHONY SPECIFICATIONS) 2.5 R1.0 APRIL 3, 1998 SEE SELECTIVE LOADING CHART AND LOADING PATTERN.
- ⑦ 0.2 MAX. GAP PERMISSIBLE TO P.C.BOARD

**SPECIFICATIONS**

**MATERIALS**

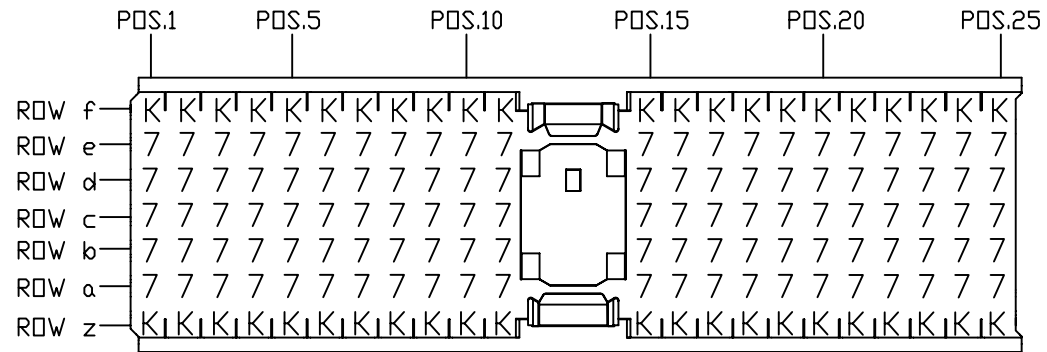
- ① Insulators: Thermoplastic Polyester, glass filled  
Rated UL 94V-0, Color: Gray
- ② Pin contacts:  
Copper Alloy  
Finish: Mating Zone=Gold  
Compliant Zone=Tin/Lead(Matte Tin)  
Performance Class 2= 250 cycles

**PERFORMANCE CHARACTERISTICS ①**

Insulation resistance: 10000 megohms minimum  
 Dielectric withstanding voltage(at sea level): 750 Vrms  
 Current rating: 1 amp @70°C, fully loaded  
 1.5 amp @20°C, fully loaded  
 Operating temperature range: -55°C to +125°C  
 Contact resistance: 20 milliohms maximum

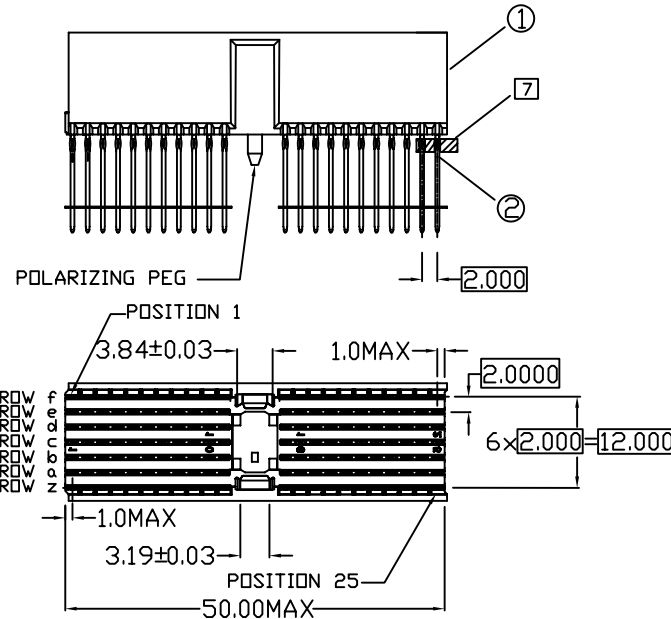
**COMPLIANT CONTACT**

Max.Insertion Force(per contact): 22.5 lbs./100 N  
 Min. Retention force(per contact): 4.5 lbs./20 N

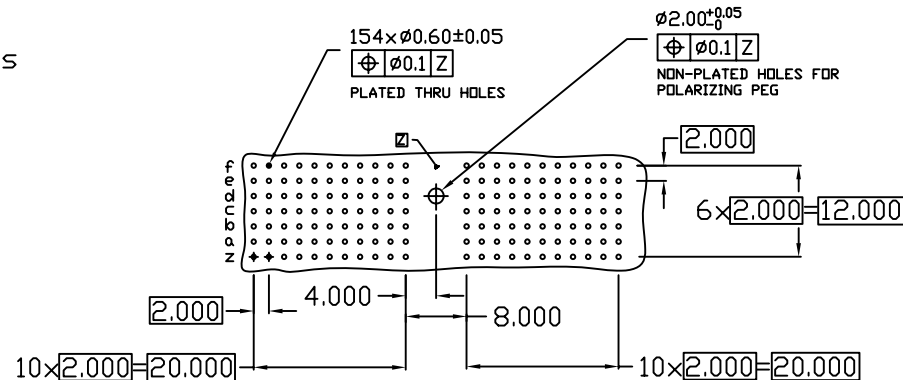


SELECTIVE LOADING PATTERN

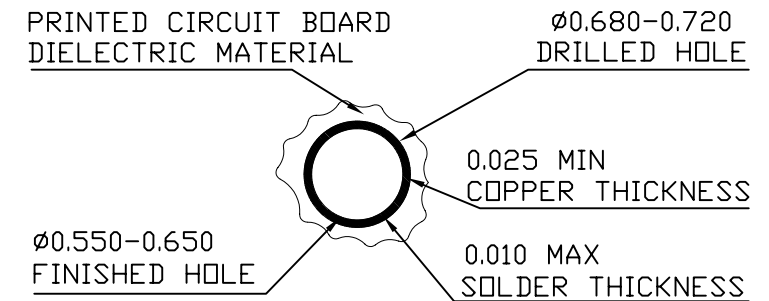
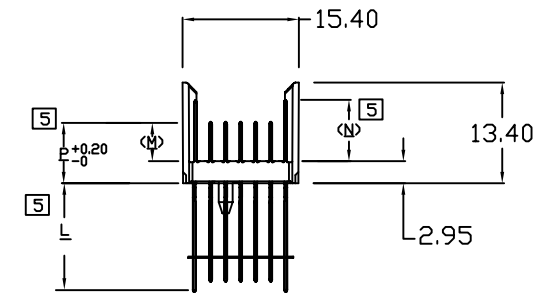
| PIN CODE | MATING LENGTH OF CONTACTS |            |           | CONTACT TAIL LENGTHS |
|----------|---------------------------|------------|-----------|----------------------|
|          | SIGNAL                    | ALL        | GROUND    |                      |
|          | M                         | P          | N         | L                    |
| 7        | .209/5.30                 | .323/8.20  | N/A       | .512/13.00           |
| K        | .327/8.30                 | .441/11.20 | .327/8.30 | .630/16.00           |



CATALOG No. NX5A0AE01C14CA SHOW



RECOMMENDED PC BOARD REQUIREMENTS (COMPONENT SIDE BOARD SHOWN)



THRU HOLE PLATING SCALE 10:1

|   |                 |                            |  |                              |  |
|---|-----------------|----------------------------|--|------------------------------|--|
| DESIGN UNITS<br>■ mm □ INCH               |                 | NAME:<br>2MM HEADER A TYPE |  | Allconnectors                |  |
| GENERAL TOLERANCES:<br>(UNLESS SPECIFIED) |                 | PART NO:<br>NX5A0AE01C14CA |  | TITLE:<br>CUSTOMER DWG C     |  |
| 4 PLACE                                   | ± 0.05 ±.***    | APPD:                      |  | DWG. NO:<br>C-NX5A0AE01C14CA |  |
| 3 PLACE                                   | ± 0.10 ±.***    | CHKD:                      |  | SCALE: 1/1                   |  |
| 2 PLACE                                   | ± 0.20 ±.***    | DRAWN: 何潔賢 5/29'06         |  | SHEET: 1/1                   |  |
| 1 PLACE                                   | ± 0.30 ±.***    |                            |  | REV.: A                      |  |
| ANGULAR:                                  | X°±.*** X°±.*** |                            |  |                              |  |

|      |          |             |          |       |      |
|------|----------|-------------|----------|-------|------|
| A    | **       | Release     | 05/29'06 | Jexan |      |
| REV. | ECN. NO. | DESCRIPTION | DATE     | DRAWN | APPD |