

NOTES:

- ① THIS CONNECTOR IS DESIGNED TO MEET THE APPLICABLE PERFORMANCE REQUIREMENTS OF IEC 61076-4-101 AND BELLCORE GR-1217-CORE
- 2 RoHS DIRECTIVE COMPLIANCE, MAX SOLDERING TEMPERATURE 225°C.
- 3 CONNECTORS ARE END STACKABLE ON A 2.0 GRID.
- ④ FOR COMPLIANT CONTACT PLATED THRU HOLE REQUIREMENTS SEE THRU HOLE PLATING VIEW. MINIMUM P.C.BOARD THICKNESS 1.57 NOMINAL.
- ⑤ OPTIONAL BOTTOM SHIELD SOLD SEPARATELY
- ⑥ NO GAP PERMISSIBLE TO PC BOARD.

SPECIFICATIONS

MATERIALS

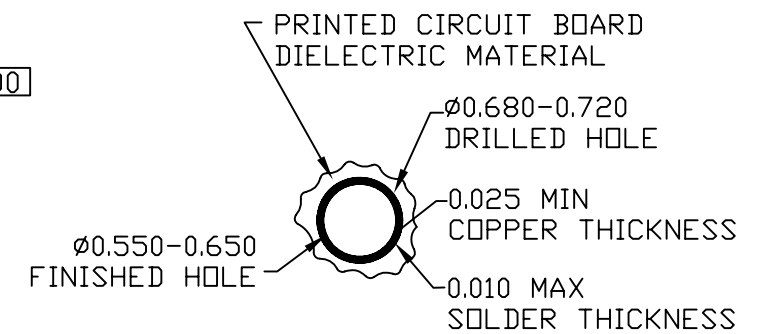
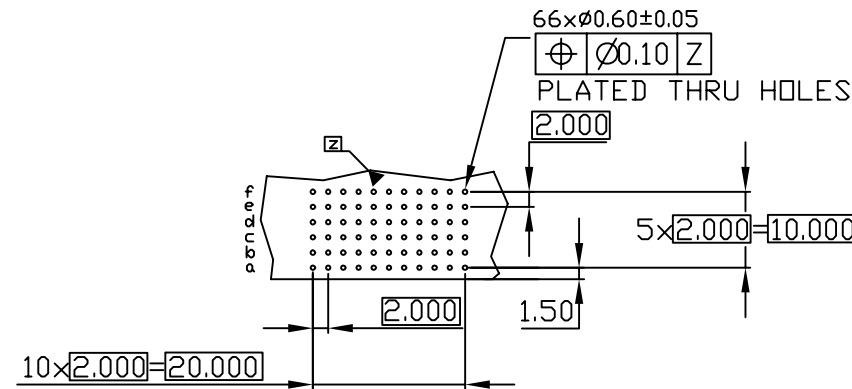
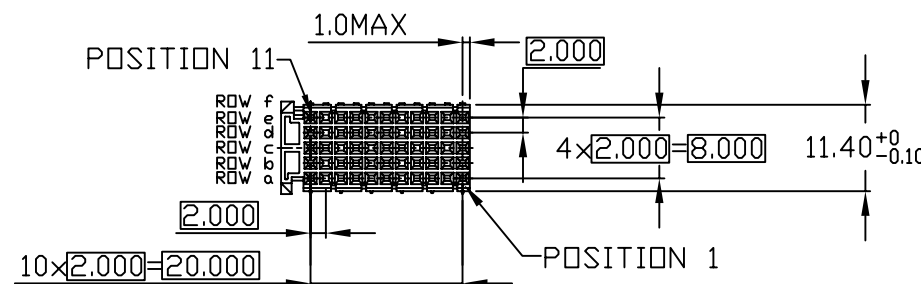
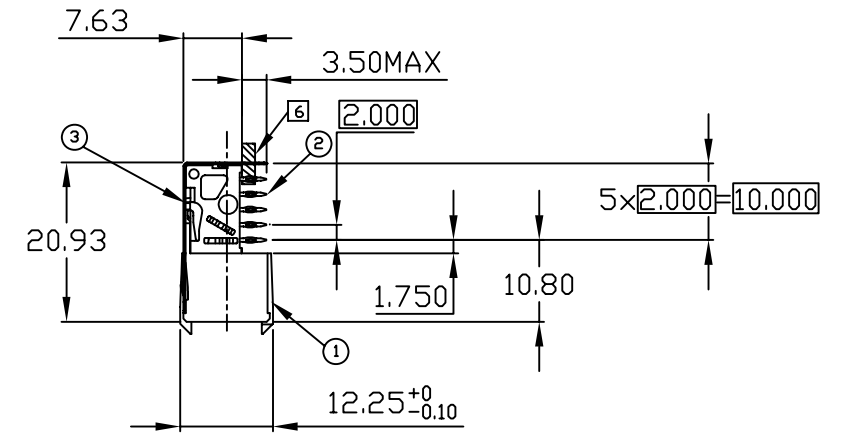
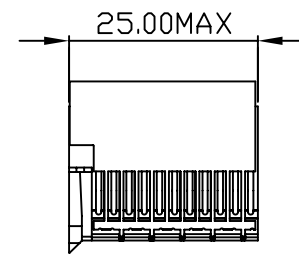
- ① Insulators: Thermoplastic Polyester, glass filled
Rated UL 94V-0, Color: Gray
- ② Pin contacts: Copper Alloy
Finish: Mating Zone=Gold
Compliant Zone=Matte Tin
Performance Class 2= 250 cycles
- ③ Top Shield: Copper Alloy
Finish: Nickel Plate

PERFORMANCE CHARACTERISTICS ①

- Insulation resistance: 10,000 megohms minimum
- Dielectric withstanding voltage(at sea level): 750 Vrms
- Current rating: 1 amp @70°C, fully loaded
1.5 amp @20°C, fully loaded
- Operating temperature range: -55°C to +125°C
- Contact resistance: 20 milliohms maximum

COMPLIANT CONTACT

- Max.Insertion Force(per contact): 22.5 lbs./100 N
- Min. Retention force(per contact): 4.5 lbs./20 N



RECOMMENDED PC BOARD REQUIREMENTS
(COMPONENT SIDE BOARD SHOWN)

THRU HOLE PLATING
SCALE 10:1

C	ECR-NC0156	Modify(RoHS)	11/30'07	Seawen	Alan
REV.	ECN. NO.	DESCRIPTION	DATE	DRAWN	APPD

DESIGN UNITS	
mm	INCH
GENERAL TOLERANCES: (UNLESS SPECIFIED)	
4 PLACE	± 0.05 ±. **
3 PLACE	± 0.10 ±. **
2 PLACE	± 0.20 ±. **
1 PLACE	± 0.30 ±. **
ANGULAR:	X° ± ** X° ± **

NAME:	METCON-2 SOCKET C TYPE
PART NO:	NX6C0AE01A1AF
APPD:	蘇侯安 11/30'07
CHKD:	楊海文 11/30'07
DRAWN:	何潔賢 11/30'07

All connectors	
TITLE:	CUSTOMER DWG C
DWG. NO:	C-NX6C0AE01A1AF
SCALE:	1 / 1
SHEET:	1 / 1
REV.:	C