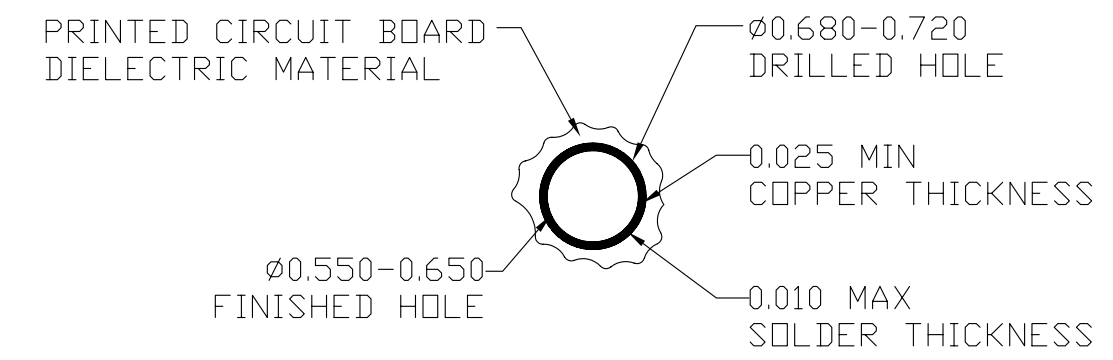


NOTES:
 1.ALL DIMENSION ARE IN mm.
 2.MATERIAL:
 HOUSING:THERMOPLASTIC(94V-0) COLOR: GRAY
 CONTACT:COPPER ALLOY
 3.FINISH:
 CONTACT SURFACE: GOLD PLATING;
 PRESSING END: MATTE TIN PLATING.
 4.ENGAGING AND SEPARATING FORCES PER IEC 61076-4-101.
 5.ROHS DIRECTIVE COMPLIANCE.
 6.MAX SOLDERING TEMPERATURE 225°C.
 7.PERFORMANCE CHARACTERISTICS
 INSULATION RESISTANCE:10,000 MEGOHMS MINIMUN
 DIELECTRIC WITHSTANDING VOLTAGE(AT SEA LEVEL):750 Vrms
 CURRENT RATING:1 AMP AT 70°C,FULLY LOADED
 1.5 AMP AT 20°C,FULLY LOADED
 OPERATING TEMPERATURE RANGE:-55°C TO +125°C
 CONTACT RESISTANCE: 20 MILLIOHMS MAXIMUN



THRU HOLE PLATING
 SCALE 10:1

DESIGN UNITS <input checked="" type="checkbox"/> mm <input type="checkbox"/> INCH		NAME: 2MM 90° SOCKET F TYPE WITH SHIELD NO PEGS		All Connectors	
GENERAL TOLERANCES: (UNLESS SPECIFIED)		PART NO: NX8F0A800A1AF		TITLE: CUSTOMER DWG C	
4 PLACE	±.**	±.**	APPD: 蘇侯安 10/12'06	DWG. NO: C-NX8F0A800A1AF	
3 PLACE	±.**	±.**	CHKD: 楊海文 10/12'06		
2 PLACE	±0.20	±.**	DRAWN: 蔡友華 10/12'06		
1 PLACE	±0.30	±.**			
ANGULAR:	X°±.**	X°±.**			

X1	Release	10/12'06	蔡友華	蘇侯安
REV.	ECN. NO.	DESCRIPTION	DATE	DRAWN APPD

PCB LAYOUT